

* BRACKET INSTALLATION FOR
SUNLITE SERIES

* BRACKET INSTALLATION FOR
THERMOLITE SERIES

INSTALLATION INSTRUCTIONS

1. Remove existing hatch and hinge from skylight.
2. Install angles to both sides of skylight curb. Measure 1/4" from the top of curb for thermolite series (1/8" for sunlite series), as shown in figure 1 and attach with screws (#4 x 3/8" phillip pan head) provided.
3. Install the "H" channel at bottom of skylight with screws (#8 x 1 1/4" phillip flat head) provided. Note: notch in "H" channel should go toward the bottom curb. (see figures 1 and 3).
4. Install the "J" channel to the top of the skylight curb with the long leg up as shown in figure 2 with screws (#4 x 3/8" phillip pan head) provided.
5. Install the operator as shown in view A-A. Line up operator with brass chain stop preattached through notch in "H" channel and secure operator with (4) screws (#10 x 1 1/4" phillip flat head painted beige) provided.
6. Install new hinge bar. Remove the tape backing from the sealant. Center the hinge on curb with the small leg on top of curb and secure with screws (#6 x 3/4" phillip flat head stainless steel) provided. (see figures 2 and 4) **Note: Once sealant makes contact with curb it cannot be removed.**
7. Attach skylight hatch to the hinge by placing "c" receiver in cover onto ball of hinge while holding the hatch 90° to the curb and close hatch. (see figure 2)
8. Install the bracket as shown in figure 3. *Note: Choose the correct installation for a skylight or roof window. Line up bracket with operator chain and secure with screws (#8 x 1 1/4" phillip flat head and #6 x 3/8" phillip flat head) provided. Crank chain up approximately 5" and attach chain to bracket with pin provided.
9. Install the screen with springs toward the bottom, push down and inward then release top of screen into the "J" channel above.

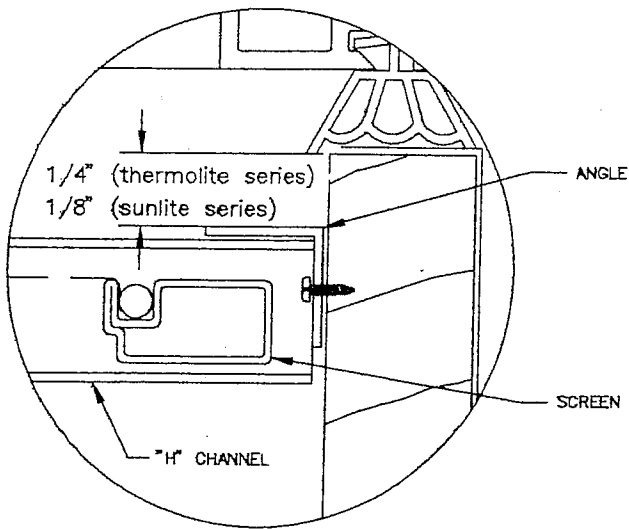


FIGURE 1
(OPPOSITE SIDE SIMILAR)

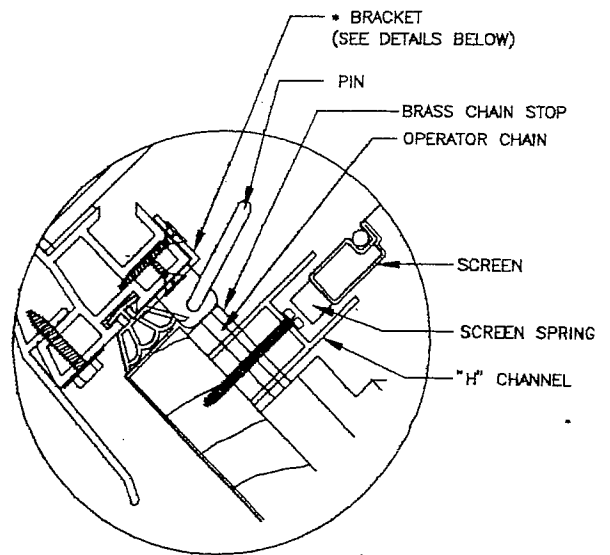


FIGURE 3

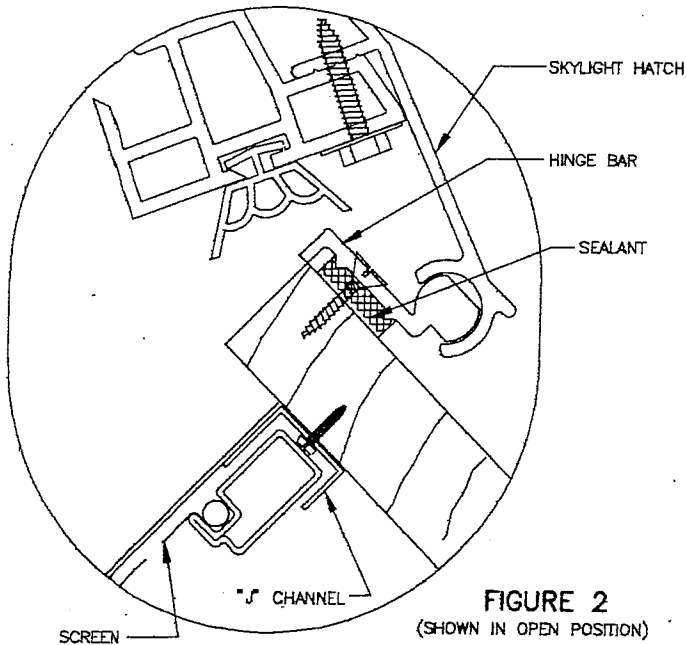
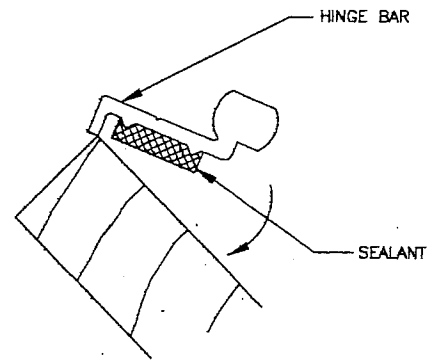
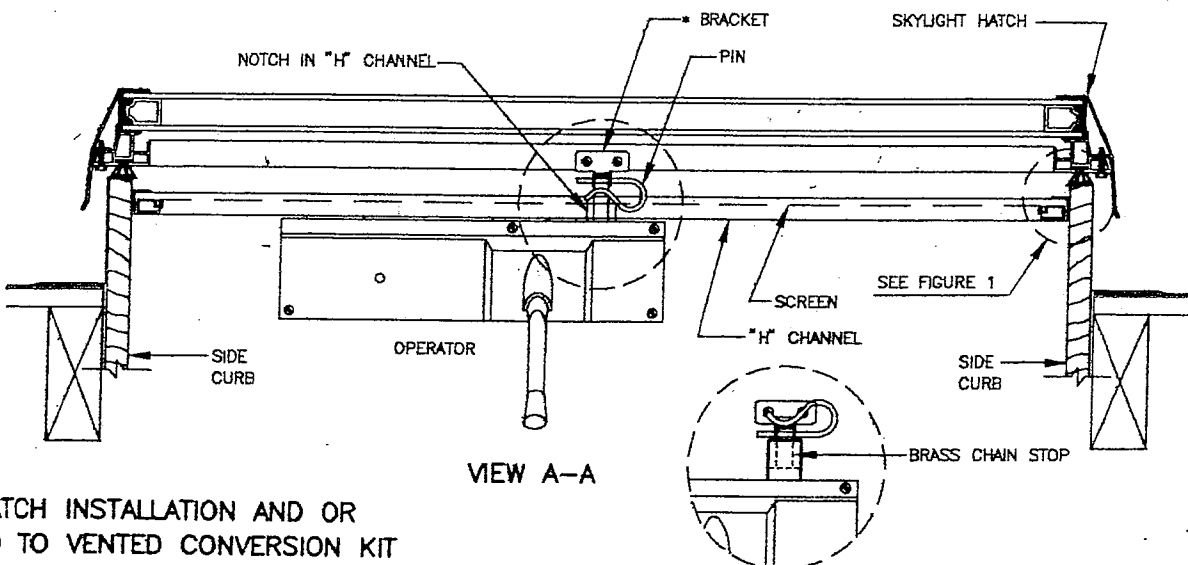


FIGURE 2
(SHOWN IN OPEN POSITION)



NOTE: PLACE SMALL LEG ON TOP OF CURB AND SWING HINGE BAR DOWN UNTIL SEALANT MAKES CONTACT WITH CURB.

HINGE INSTALLATION
FIGURE 4



VIEW A-A

HATCH INSTALLATION AND OR
FIXED TO VENTED CONVERSION KIT
INSTALLATION INSTRUCTIONS
(SEE REVERSE SIDE FOR INSTRUCTIONS)