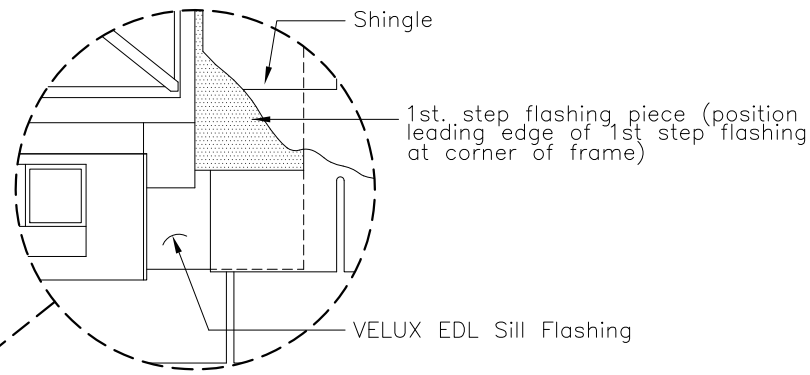
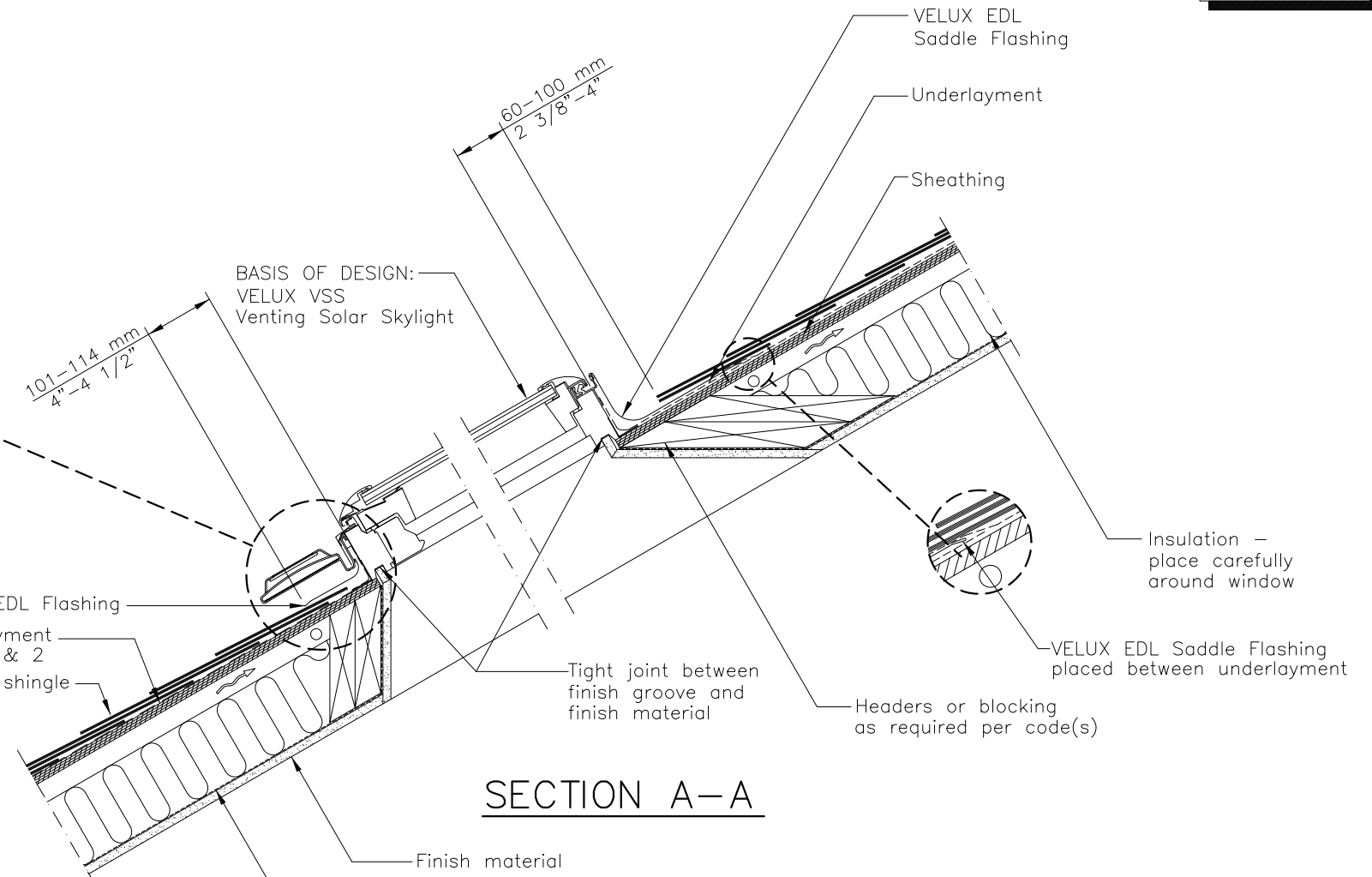
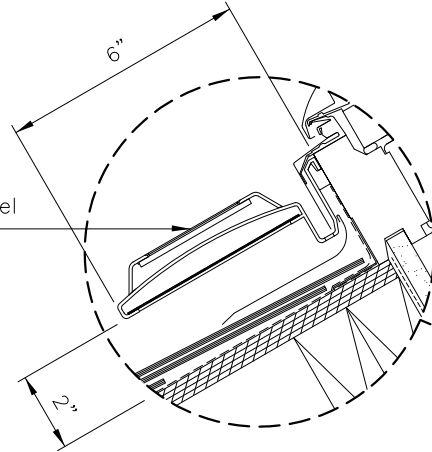


**ELEVATION**



VELUX Solar Panel & Rain Sensor



**SECTION A-A**

BASIS OF DESIGN:  
VELUX VSS  
Venting Solar Skylight

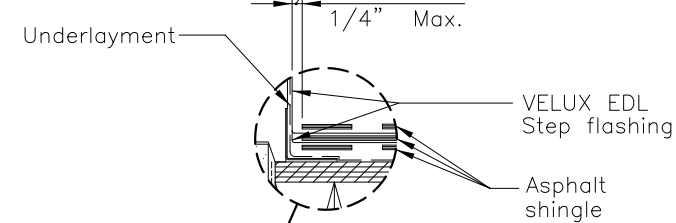
VELUX EDL  
Step flashing

Sheathing

Ventilation

Insulation

Vapor barrier  
Note 3



Underlayment  
Note 1 & 3

**SECTION B-B**

Tight joint  
between finish  
groove and  
finish material.

Finish material

**GENERAL NOTES**

1. Wrap frame in ZOZ 216 adhesive underlayment provided with VELUX flashing.
2. Underlayment to be folded up against all sides of frame.
3. Vapor barrier should be used to avoid moisture.

**VELUX**

Sky-Product Management

VELUX  
1418 Evans Pond Road  
Greenwood, SC 29649  
1-800-88-VELUX  
www.VELUXUSA.com

VSS-Residential/Commercial  
Roof Section (Cathedral Ceiling  
with Asphalt Shingles)

	Name	Date
Drawn by	JDH	April 2013
Checked by	WQ, JL	April 2013
Drawing No.		

VSS-03-0413

This drawing is an instrument of service and is provided for informational use only.

