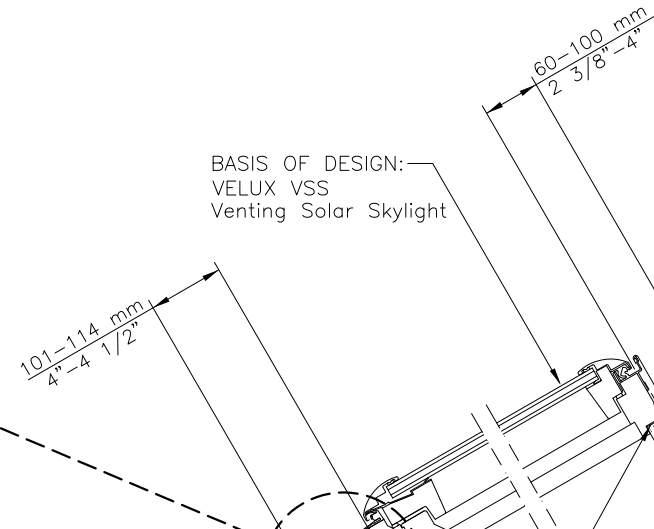
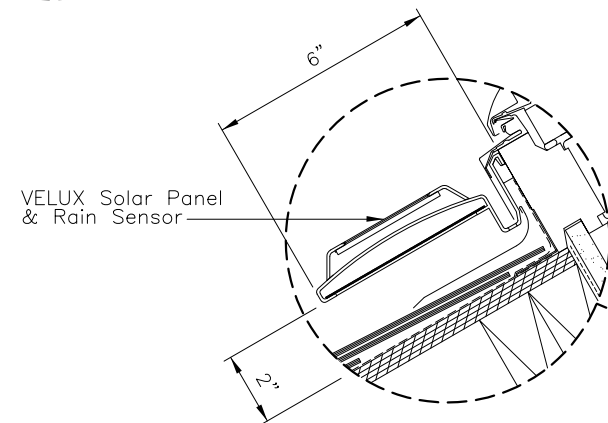
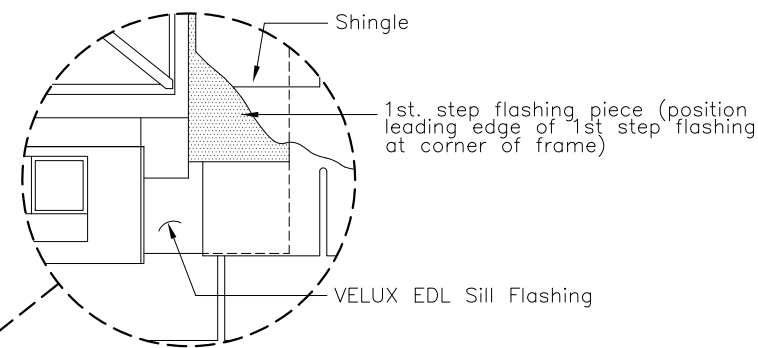
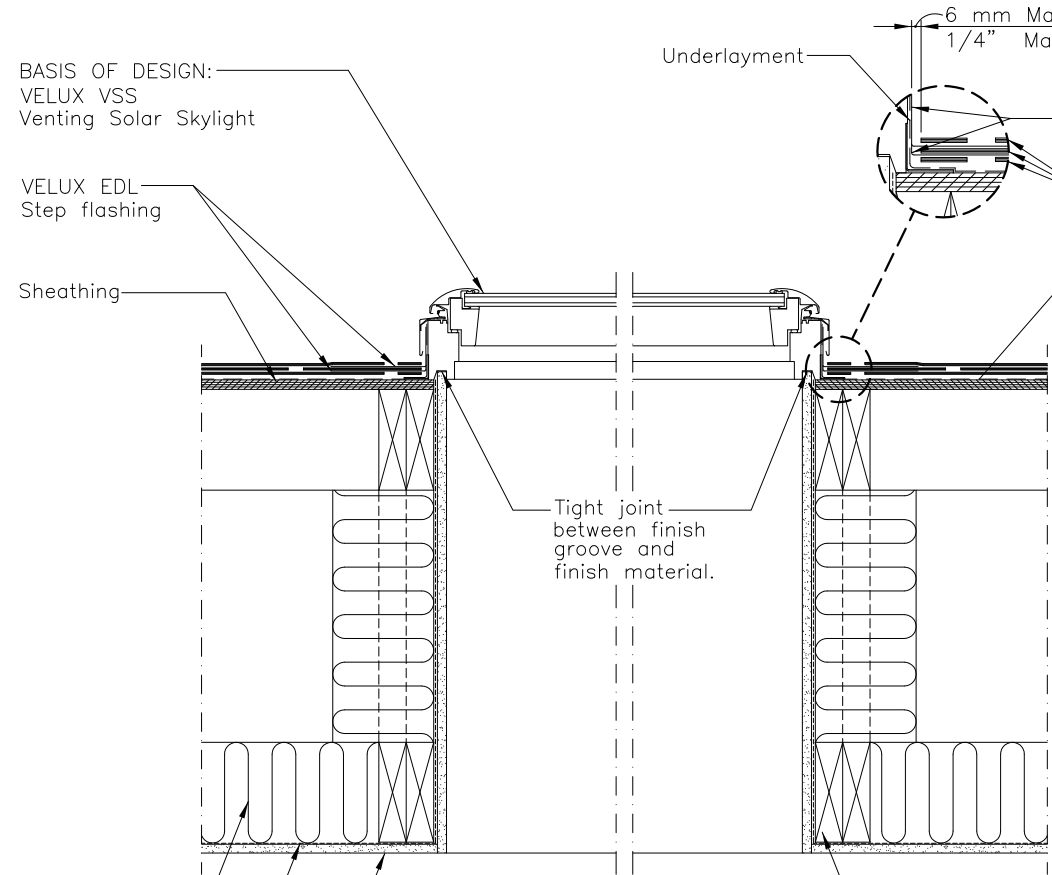


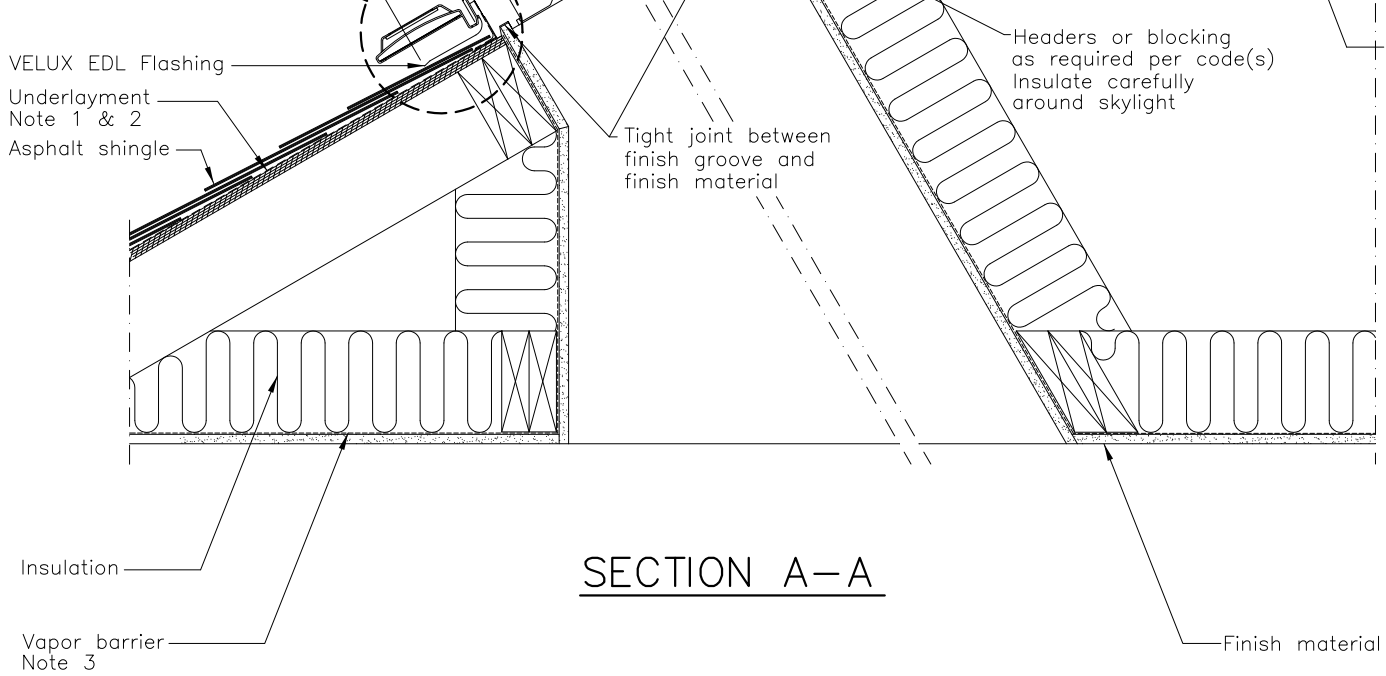
ELEVATION



	VSS
	EDL
	Asphalt shingles
	Light shaft



SECTION B-B



SECTION A-A

GENERAL NOTES

1. Wrap frame in ZOZ 216 adhesive underlayment provided with VELUX flashing.
2. Underlayment to be folded up against all sides of skylight.
3. Vapor barrier should be used to avoid moisture.

 Sky-Product Management	VELUX 1418 Evans Pond Road Greenwood, SC 29649 1-800-88-VELUX www.VELUXUSA.com	<table border="1"> <tr> <td>Name</td> <td>Date</td> </tr> <tr> <td>JDH</td> <td>April 2013</td> </tr> <tr> <td>WQ, JL</td> <td>April 2013</td> </tr> </table>	Name	Date	JDH	April 2013	WQ, JL	April 2013
	Name	Date						
JDH	April 2013							
WQ, JL	April 2013							
VSS-Residential/Commercial Roof Section (Light Shaft and Asphalt Shingles)	Drawing No. VSS-02-040813							

This drawing is an instrument of service and is provided for informational use only.