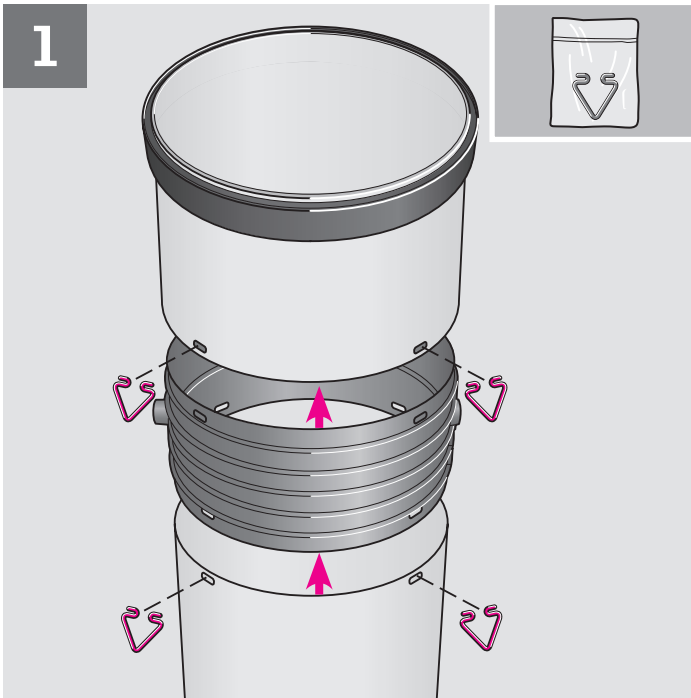
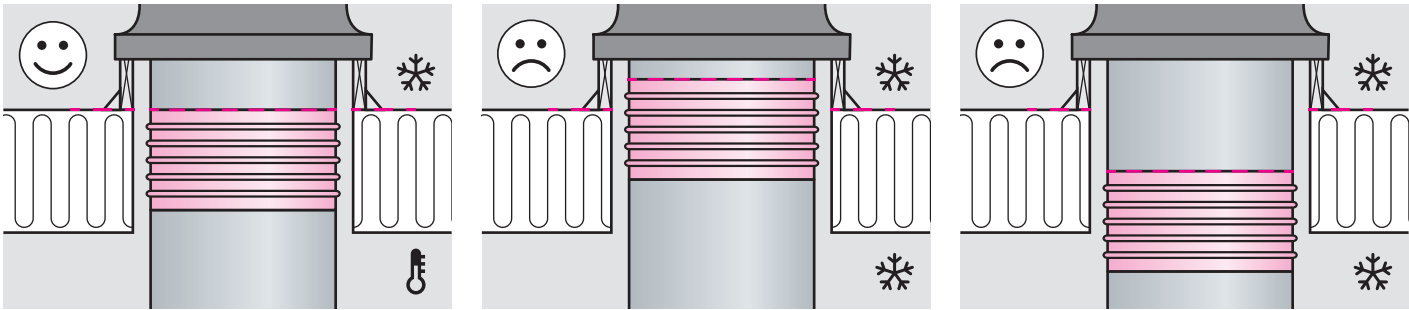
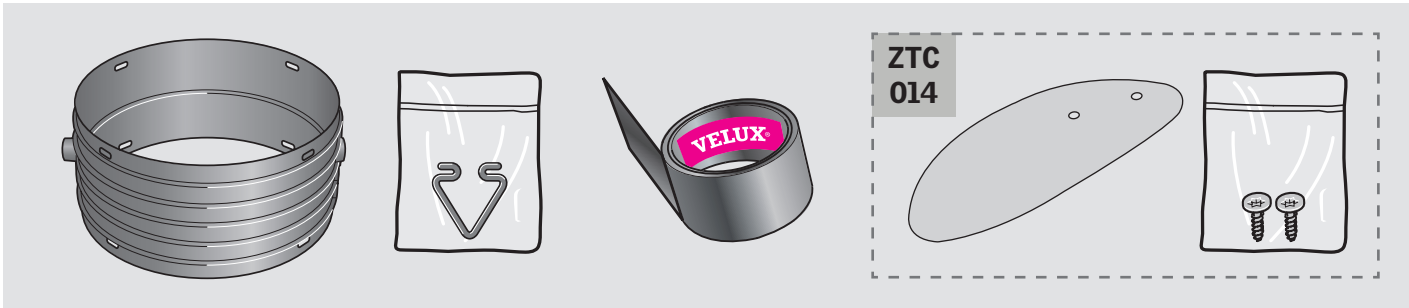
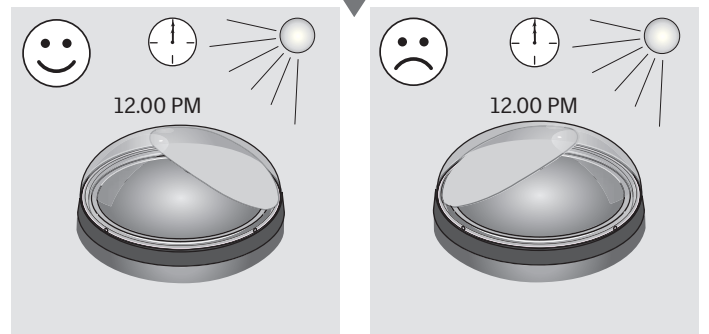
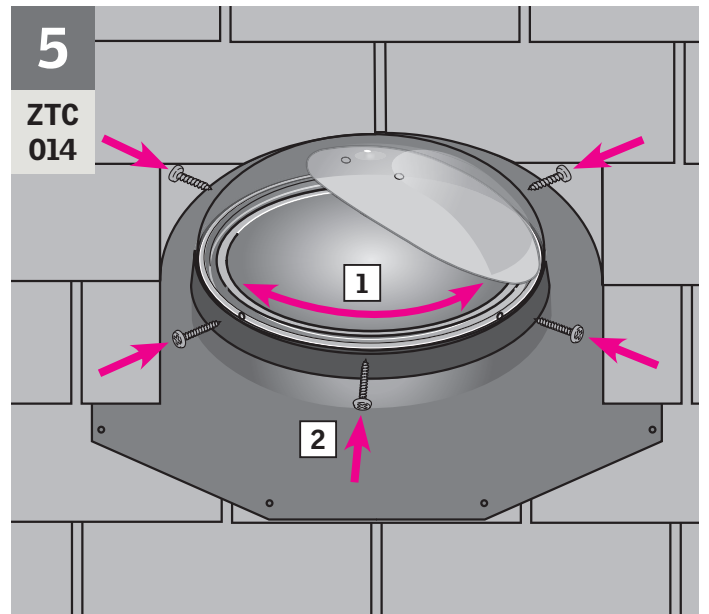
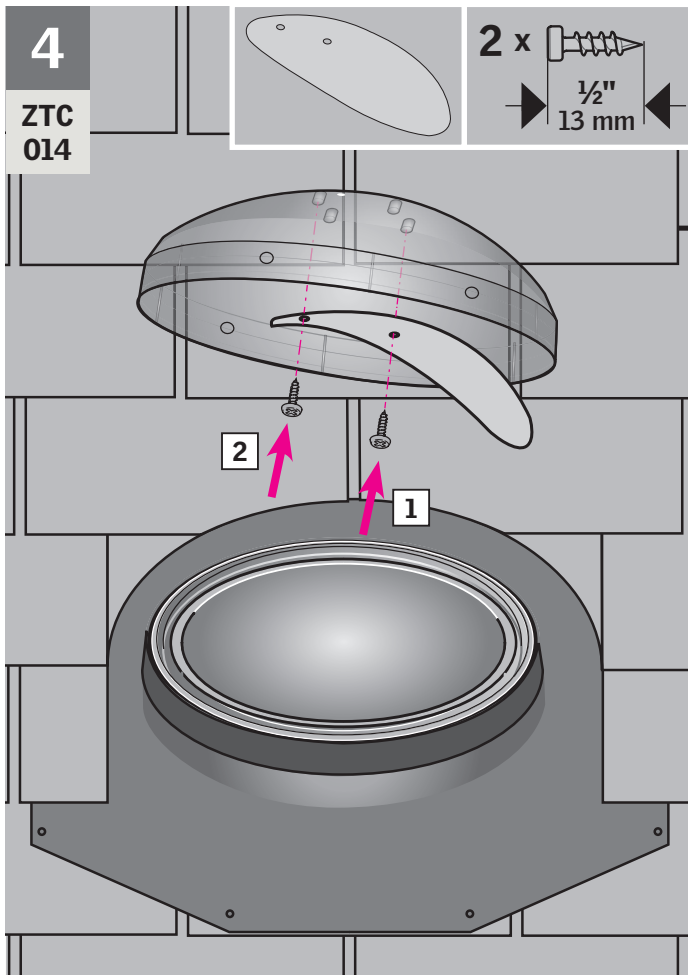
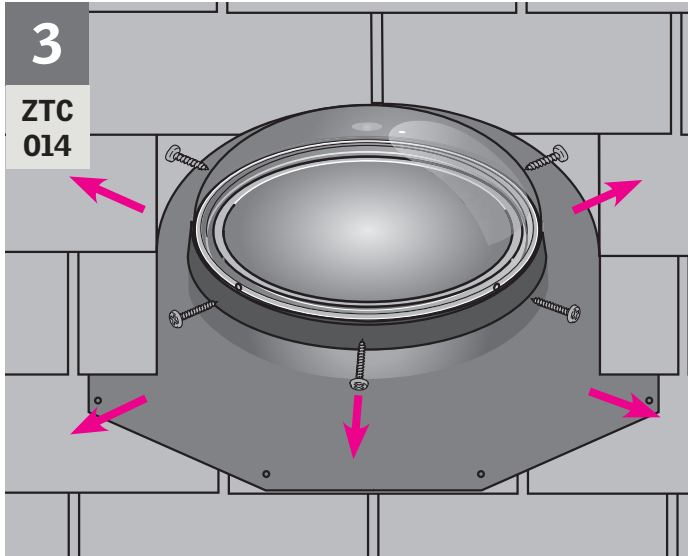


# ZTC Commercial Energy Kit





**USA:** VELUX America Inc.  
1-800-88-VELUX

**CDN:** VELUX Canada Inc.  
1 800 88-VELUX (888-3589)

[www.velux.com](http://www.velux.com)