



### TCC 014 Components

- TCC 014 0000**
- Acrylic Dome
  - Counter flashing assembly
  - Top collar (16"/.41m)
  - Hardware bag
- Option
- TCC 014 1000 – Impact Polycarbonate dome

- Option: ZTA 014 0012**
- Turrent extender 12 inch

- Option: ZTA 014 0036**
- Turrent extender 36 inch

- Option: TTK 014 Elbows & Rigid Tunnel**
- 24"/.61m Rigid tunnel
  - (2) 12"/.30m Rigid elbows
  - Tape for tunnel joints
  - Hardware bag

- Option: ZTR 014 Rigid Tunnel Extensions**
- ZTR 014 0002 24"/.61m Rigid tunnel
  - ZTR 014 0004 48"/1.22m Rigid tunnel
  - ZTR 014 0006 72"/1.83m Rigid tunnel
  - ZTR 014 0012 144"/3.66m Rigid tunnel
  - ZTR 014 0024 288"/7.32m Rigid tunnel

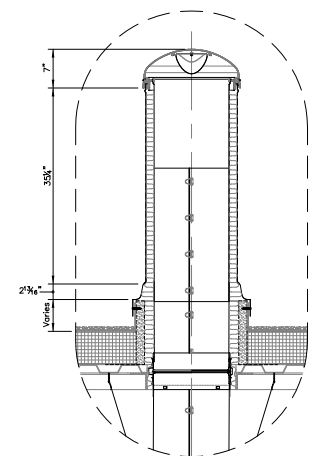
- Option: ZTZ 203**
- Suspension Wire Kit

- Option: ZTC 014 0401US**
- Commercial Energy Kit
  - Insulating pane – thermal break
  - Thermal plate

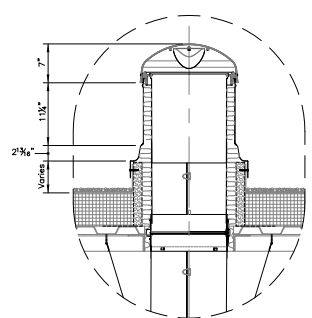
- Option: TOC 014 0002 Open Ceiling Diffuser**
- Prismatic Open Ceiling Diffuser
- Options
- TOC 014 0000 – Frosted diffuser
  - TOC 014 0003 – Fresnel diffuser

- Option: THC 014 0002 Drywall Ceiling Diffuser**
- Ceiling ring assembly with prismatic diffuser
  - Tape for tunnel joints
  - Gasket material for diffuser
  - Hardware bag
- Options
- THC 014 0000 – Frosted diffuser
  - THC 014 0003 – Fresnel diffuser

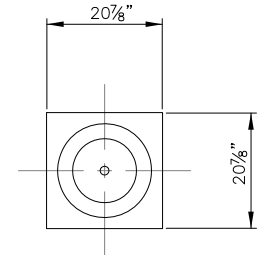
- Option: TTC 014 0002 Tile Ceiling Diffuser**
- 14" to 22" Transition piece
  - Ceiling adapter assembly with prismatic diffuser
  - Tape for tunnel joints
  - Gasket material for diffuser
  - Hardware bag
  - Suspension wire
- Options
- TTC 014 0000 – Frosted diffuser
  - TTC 014 0003 – Fresnel diffuser



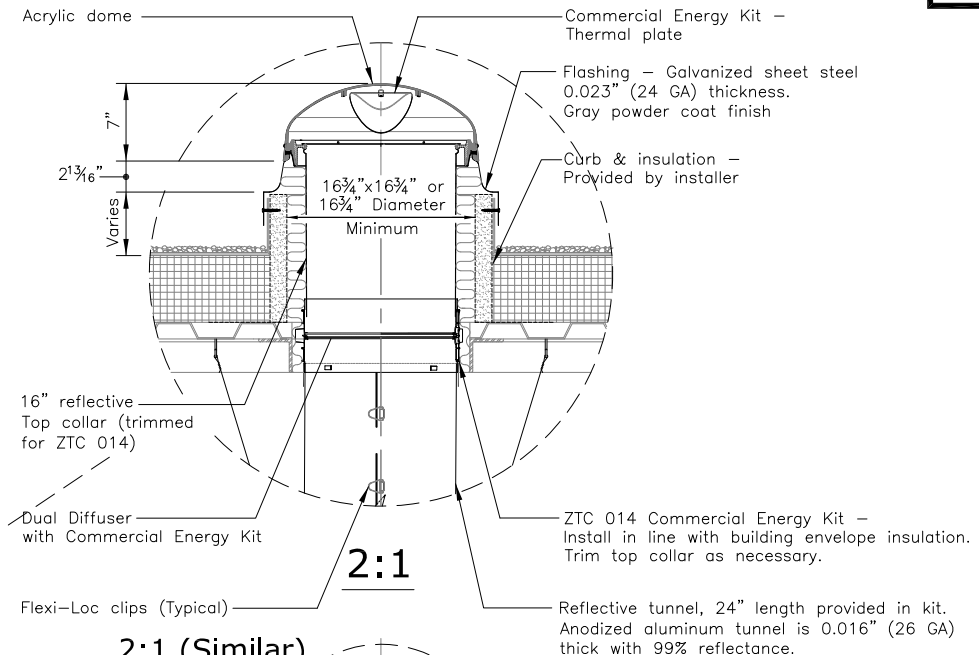
**Option: ZTA 014 0036**  
(36" Turret Extension)



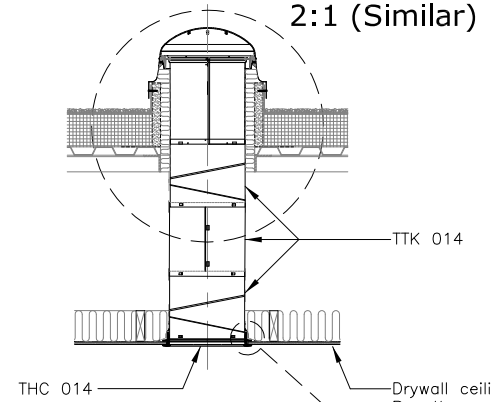
**Option: ZTA 014 0012**  
(12" Turret Extension)



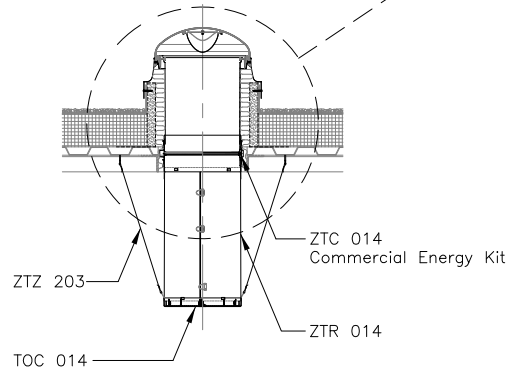
**Plan View**



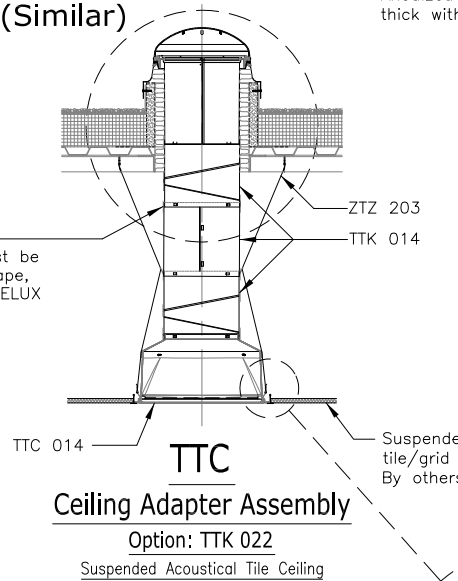
**2:1 (Similar)**



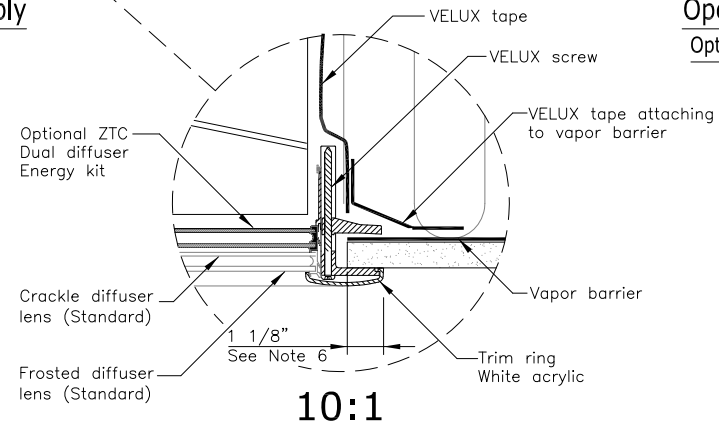
**THC Ceiling Ring Assembly**  
Option: TTK 022  
Drywall Ceiling



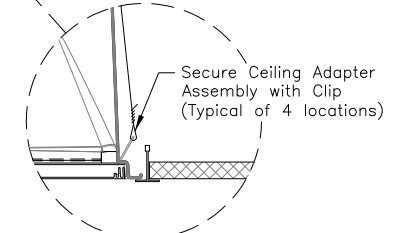
**TOC Open Ceiling Diffuser**  
Option: ZTR 022, ZTZ 203



**TTC Ceiling Adapter Assembly**  
Option: TTK 022  
Suspended Acoustical Tile Ceiling



**10:1**



**Suspended Acoustical Tile /Grid Ceiling Installation**  
4:1

### General Notes

1. This drawing emphasizes the TCC curb mount VELUX SUN TUNNEL Skylight. It illustrates a general arrangement layout (plus recommendations) for a VELUX TCC installation in a 0–60 degree roof pitch application utilizing an open ceiling installation, a suspended acoustical tile (or grid ceiling installation) and drywall ceiling installation.
2. The architectural/structural design and specifications for the inclusion of a tubular daylighting device, such as the VELUX TCC, in any roofing/ceiling application is determined and provided by others. The design criteria includes, but is not limited to design loads, structural configurations, structural framing member sizes and material, architectural finishes and integration with the roofing/ceiling systems of the building. VELUX assumes no responsibility or liability in the design, construction and performance of a building structure by others.
3. Secure eye screws/bolts to the roofing structure and attach suspension wire to connect to clips at end of tunnel section.
4. Secure suspension wires to the ceiling adaptor assembly & eyebolts.
5. Dimensions shown are nominal, unless indicated otherwise.
6. Minimum 1 1/4" clearance required around ceiling rough opening, to fit trim ring.

This drawing is an instrument of service and is provided for informational use only.

VELUX  
1418 Evans Pond Road  
Greenwood, SC 29649  
1-800-88-VELUX  
www.VELUXUSA.com

**TCC 014 - Commercial SUN TUNNEL Skylight**