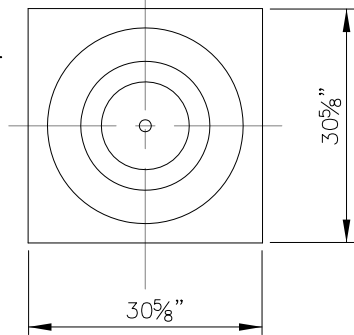
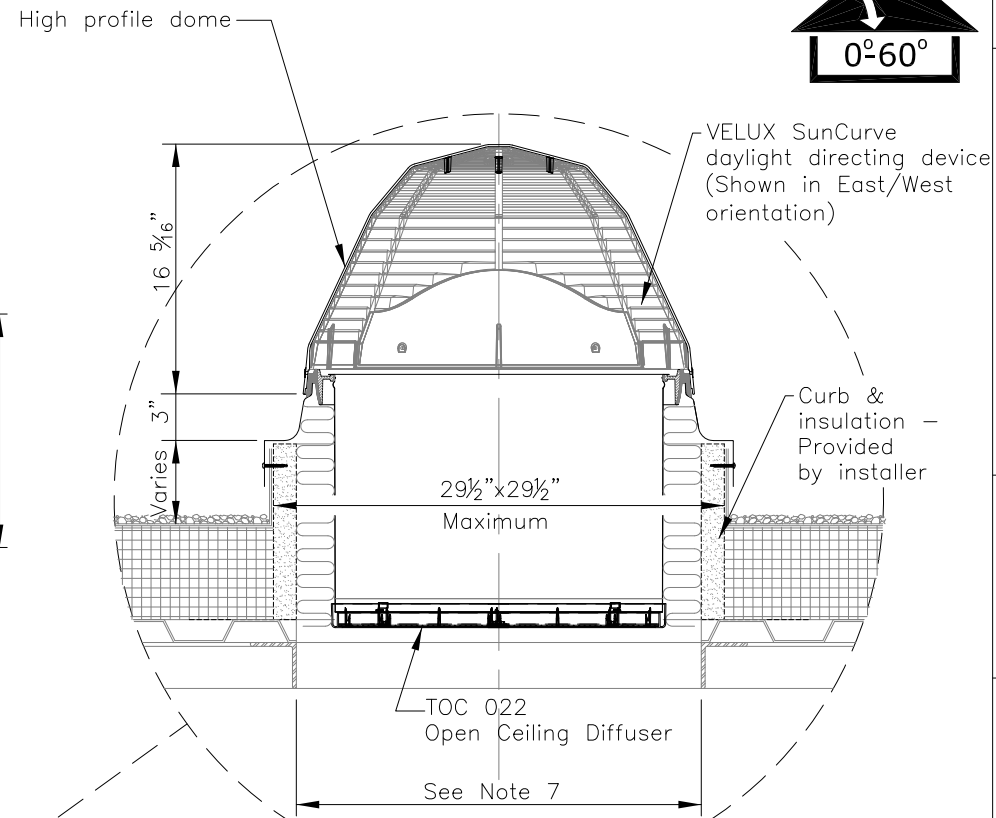
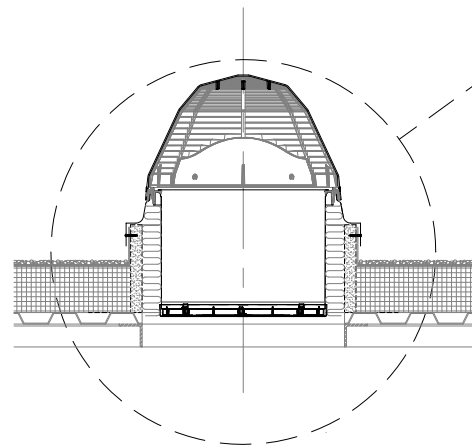


General Notes

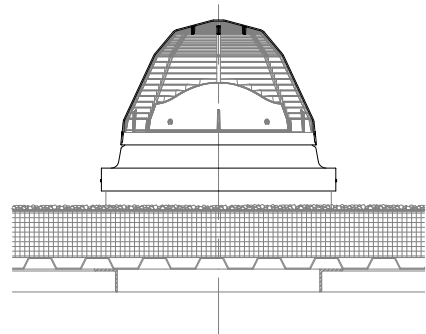
1. This drawing emphasizes the TCC curb flashed VELUX SUN TUNNEL Skylight. It illustrates a general arrangement layout (plus recommendations) for a VELUX TCC installation in a 0-60 degree roof pitch application utilizing an open ceiling installation.
2. The architectural/structural design and specifications for the inclusion of a tubular daylighting device, such as the VELUX TCC, in any roofing/ceiling application is determined and provided by others. The design criteria includes, but is not limited to design loads, structural configurations, structural framing member sizes and material, architectural finishes and integration with the roofing/ceiling systems of the building. VELUX assumes no responsibility or liability in the design, construction and performance of a building structure by others.
3. Secure eye screws/bolts to the roofing structure and attach suspension wire to connect to clips at end of tunnel section.
4. Secure suspension wires to the ceiling adaptor assembly & eyebolts.
5. Dimensions shown are nominal, unless indicated otherwise.
6. Product specific dimensions are referenced in the TCC Product Data Sheet documentation.
7. The minimum commercial roof opening for tunnel installation is 22"x22" for straight tunnels. Some tunnel configurations may require a larger opening, not to exceed 26½"x26½".



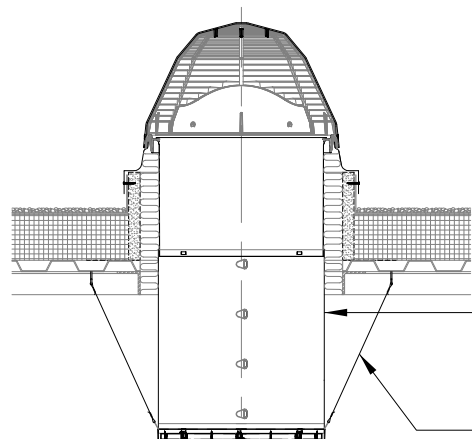
Plan



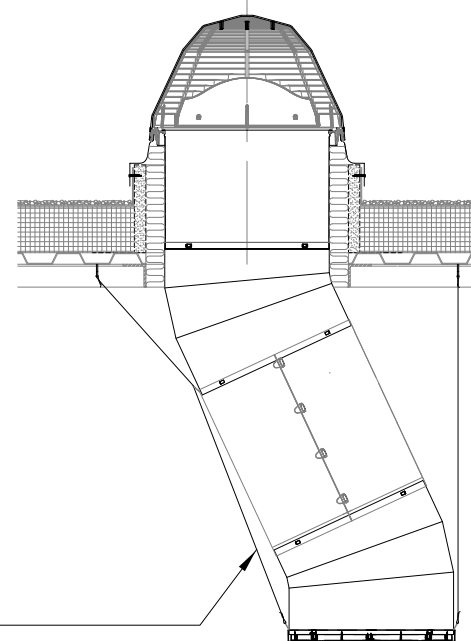
Cross Section
TOC 022
Open Ceiling Diffuser



Elevation

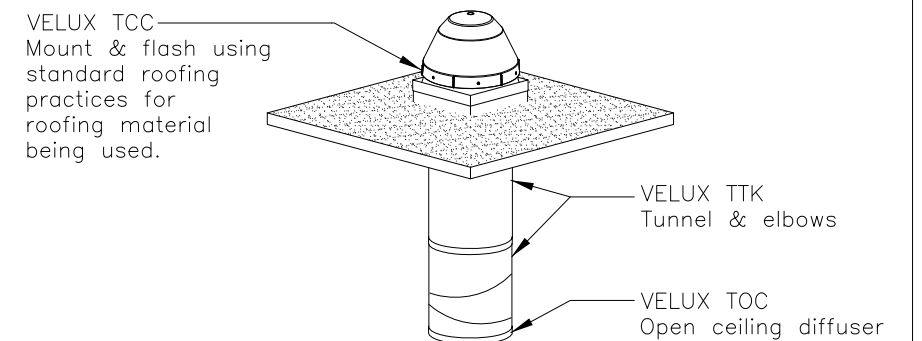


Option: ZTR 022



Option: TTK 022

TCC 022 Components	Quantity
TCC 022 3000 <ul style="list-style-type: none"> Acrylic Dome VELUX SunCurve daylight directing device Counter flashing assembly Top collar (16"/.41m) Aluminum tape (length 16"/.41m) for top collar Hardware bag 	_____
TOC 022 Open Ceiling Diffuser <ul style="list-style-type: none"> TOC 022 0002 - Prismatic Diffuser 	_____
Options <ul style="list-style-type: none"> TOC 022 0000 - Frosted diffuser TOC 022 0003 - Fresnel diffuser 	_____
Option: ZTR 022 <ul style="list-style-type: none"> ZTR 022 0002 24"/.61m Rigid tunnel ZTR 022 0004 48"/1.22m Rigid tunnel ZTR 022 0006 72"/1.83m Rigid tunnel ZTR 022 0012 144"/3.66m Rigid tunnel ZTR 022 0024 288"/7.32m Rigid tunnel 	_____
Option: TTK 022 <ul style="list-style-type: none"> 24"/.61m Rigid tunnel (2) 16"/.41m Rigid elbows Tape for tunnel joints Suspension wire Hardware bag 	_____



General Arrangement Layout

	1418 Evans Pond Road Greenwood, SC 29649 1-800-88-VELUX www.VELUXUSA.com	Name JDH	Date July 2015
	Commercial SUN TUNNEL Skylight TCC 022 w/ TOC 022 & optional ZTR 022, TTK 022	Checked by JL,CJ	Date July 2015

This drawing is an instrument of service and is provided for informational use only.