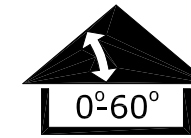
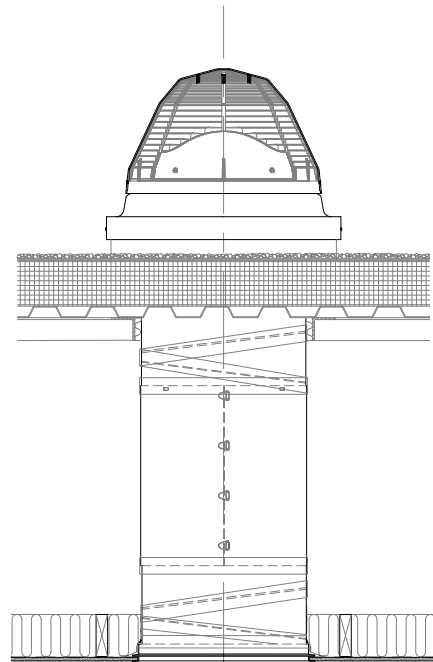
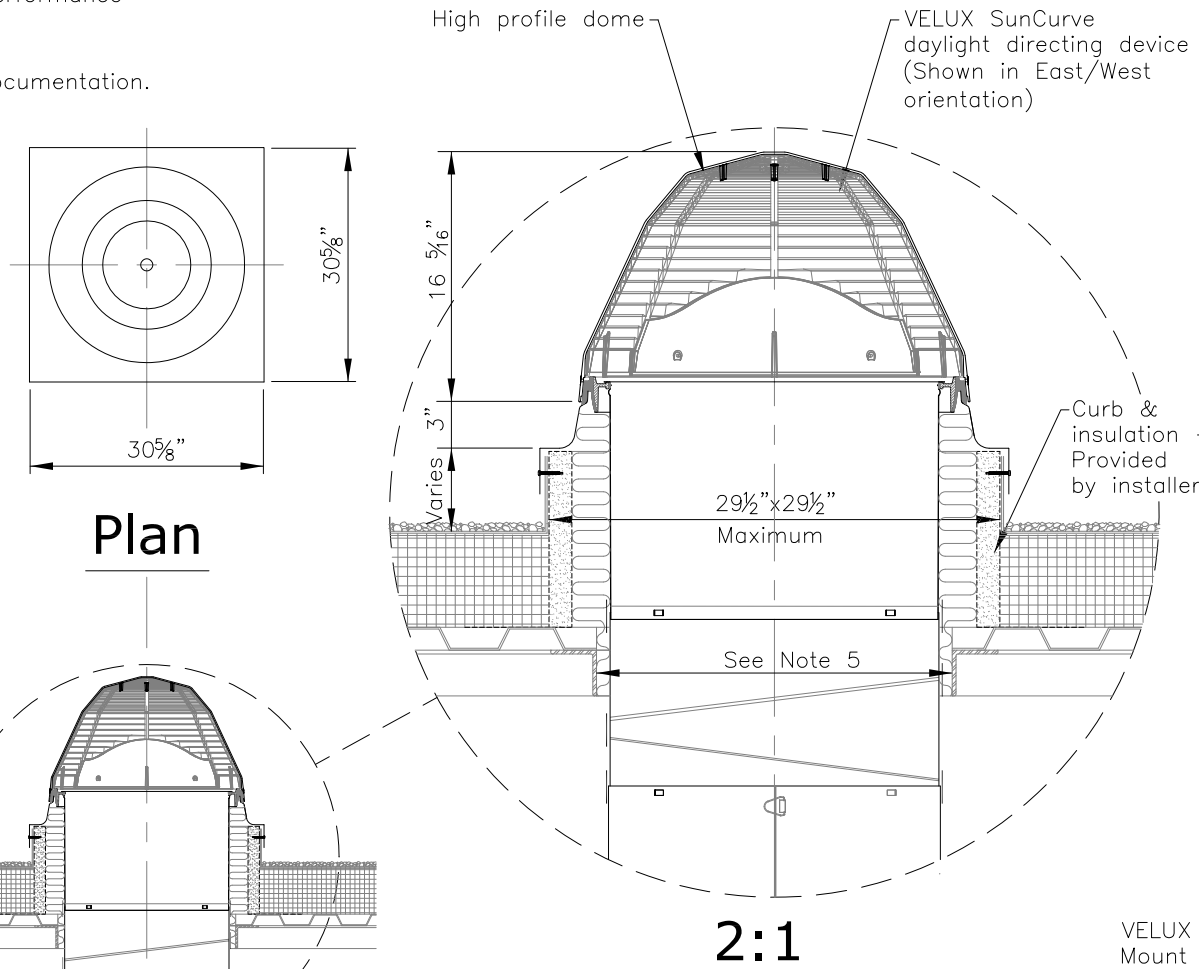


General Notes

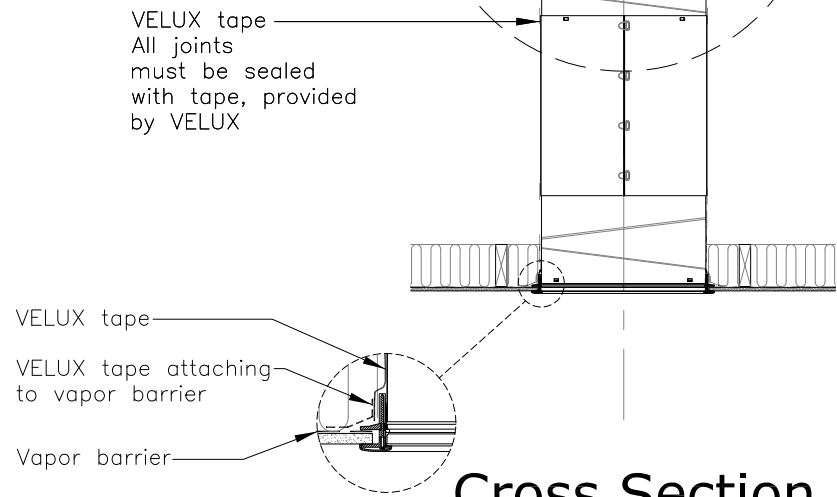
1. This drawing emphasizes the TCC curb flashed VELUX SUN TUNNEL Skylight. It illustrates a general arrangement layout (plus recommendations) for a VELUX TCC installation in a 0–60 degree roof pitch application utilizing a finished (gypsum board) ceiling installation.
2. The architectural/structural design and specifications for the inclusion of a tubular daylighting device, such as the VELUX TCC, in any roofing/ceiling application is determined and provided by others. The design criteria includes, but is not limited to design loads, structural configurations, structural framing member sizes and material, architectural finishes and integration with the roofing/ceiling systems of the building. VELUX assumes no responsibility or liability in the design, construction and performance of a building structure by others.
3. Dimensions shown are nominal, unless indicated otherwise.
4. Product specific dimensions are referenced in the TCC Product Data Sheet documentation.
5. The minimum commercial roof opening for tunnel installation is 22"x22" for straight tunnels. Some tunnel configurations may require a larger opening, not to exceed 26½"x26½".



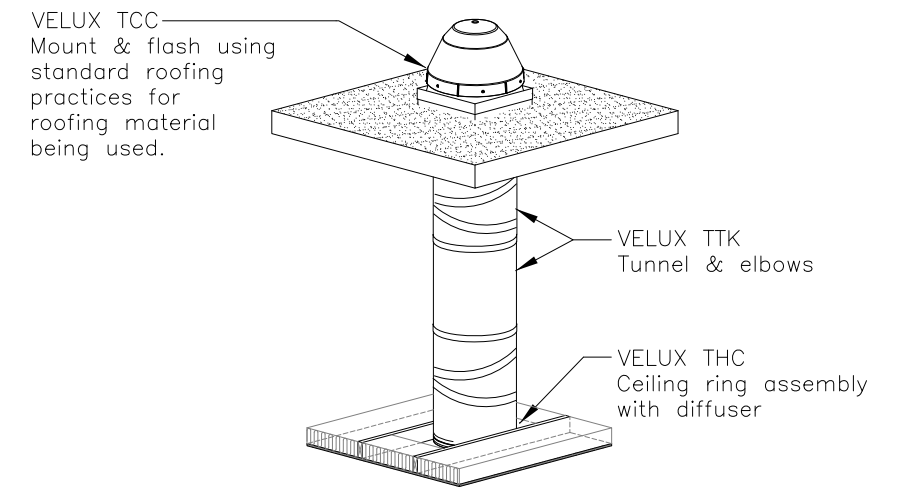
TCC 022 Components	Quantity
TCC 022 3000 <ul style="list-style-type: none"> • Acrylic Dome • VELUX SunCurve daylight directing device • Counter flashing assembly • Top collar (16"/.41m) • Hardware bag <ul style="list-style-type: none"> • Option <ul style="list-style-type: none"> • TCC 022 5000 – Impact Polycarbonate dome 	—
TTK 022 <ul style="list-style-type: none"> • 24"/.61m Rigid tunnel • (2) 16"/.41m Rigid elbows • Tape for tunnel joints • Hardware bag 	—
THC 022 0002 <ul style="list-style-type: none"> • Ceiling ring assembly with prismatic diffuser • Tape for tunnel joints • Gasket material for diffuser • Hardware bag <ul style="list-style-type: none"> • Options <ul style="list-style-type: none"> • THC 022 0000 – Frosted diffuser • THC 022 0003 – Fresnel diffuser 	—



Elevation



Cross Section



General Arrangement Layout

	VELUX 1418 Evans Pond Road Greenwood, SC 29649 1-800-88-VELUX www.VELUXUSA.com	<table border="1"> <tr> <td>Name</td> <td>Date</td> </tr> <tr> <td>Drawn by JDH</td> <td>July 2015</td> </tr> <tr> <td>Checked by JL,CJ</td> <td>July 2015</td> </tr> <tr> <td colspan="2">Drawing No.</td> </tr> </table>	Name	Date	Drawn by JDH	July 2015	Checked by JL,CJ	July 2015	Drawing No.	
	Name	Date								
Drawn by JDH	July 2015									
Checked by JL,CJ	July 2015									
Drawing No.										
Commercial SUN TUNNEL Skylight TCC 022 w/ TTK 022, THC 022 (TCC 022 3002TH/TCC 022 5002TH)	TCC 022-02-0715									

This drawing is an instrument of service and is provided for informational use only.