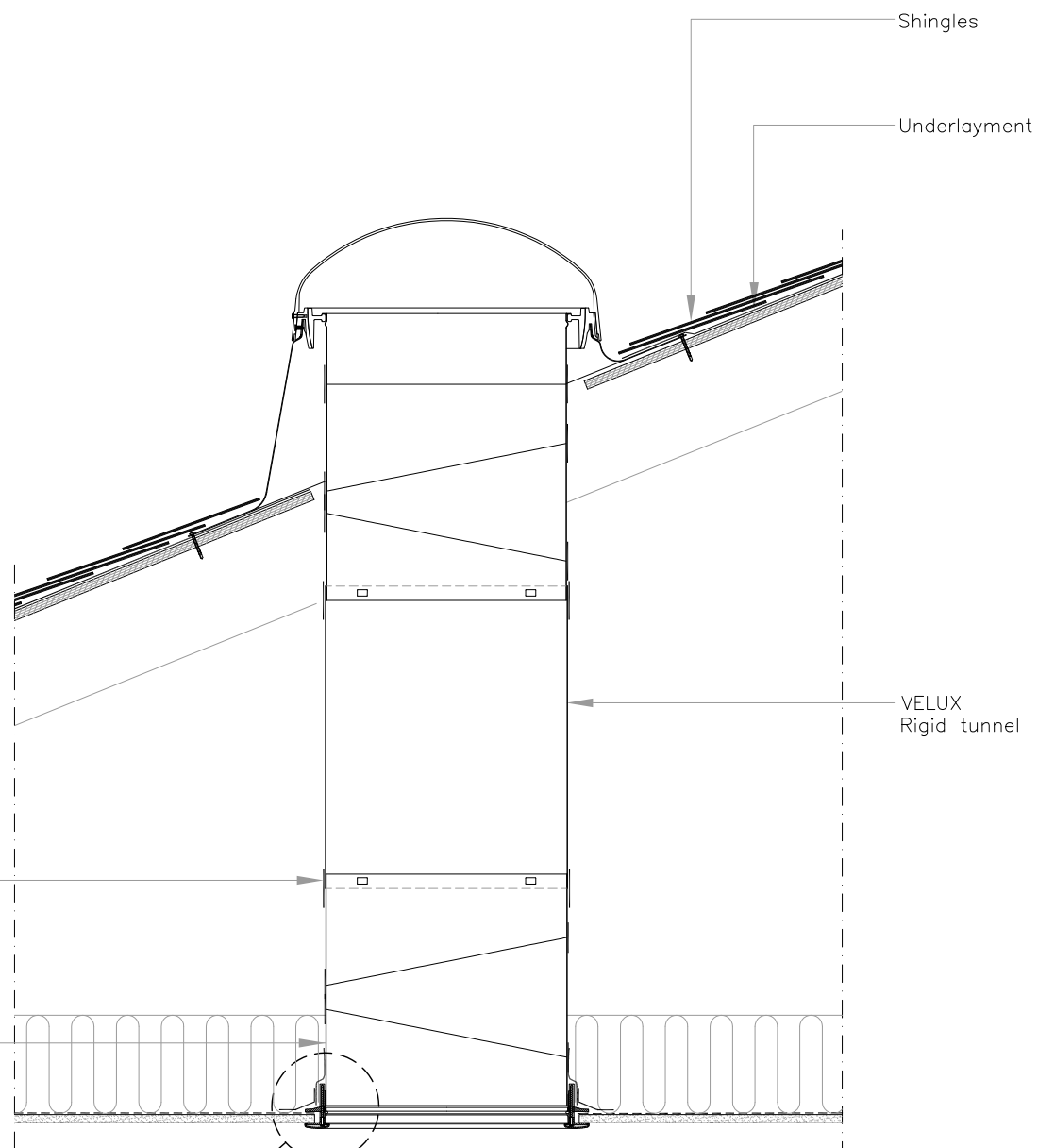
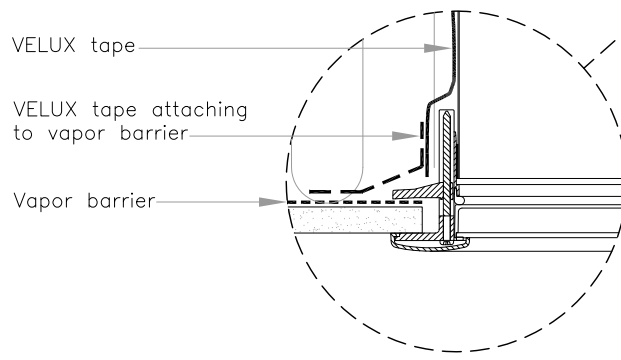


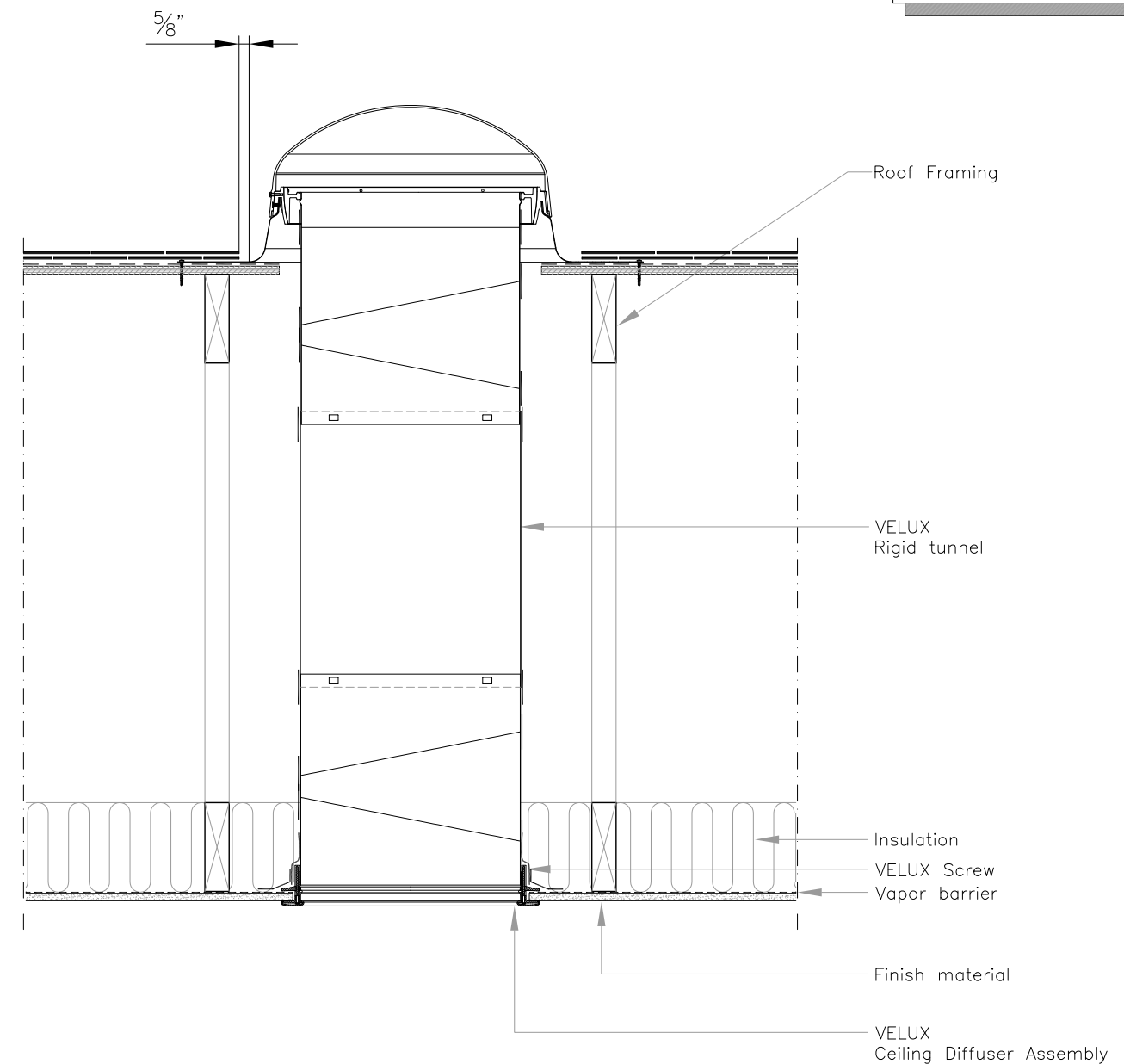
ELEVATION



SECTION A-A



3:1



SECTION B-B

TMR

Asphalt shingles

14° - 60°
3:12 - 20:12

<p>VELUX 1418 Evans Pond Road Greenwood, SC 29649 1-800-88-VELUX www.VELUXUSA.com</p> <p>Sky-Product Management</p>	<p>VELUX</p>	<p>Name</p>	<p>Date</p>
	<p>1418 Evans Pond Road Greenwood, SC 29649 1-800-88-VELUX www.VELUXUSA.com</p>	<p>JDH</p>	<p>Dec 2013</p>
<p>TMR 014 - VELUX SUN TUNNEL for Asphalt Shingle Roof</p>		<p>Checked by</p>	<p>Dec 2013</p>
<p>Drawing No.</p>		<p>TMR-01-1213</p>	

This drawing is an instrument of service and is provided for informational use only.