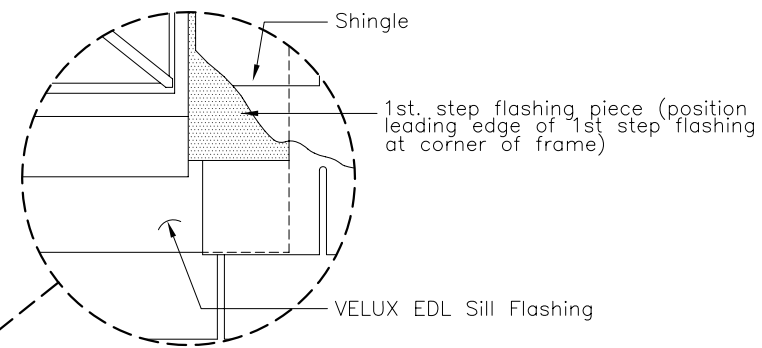
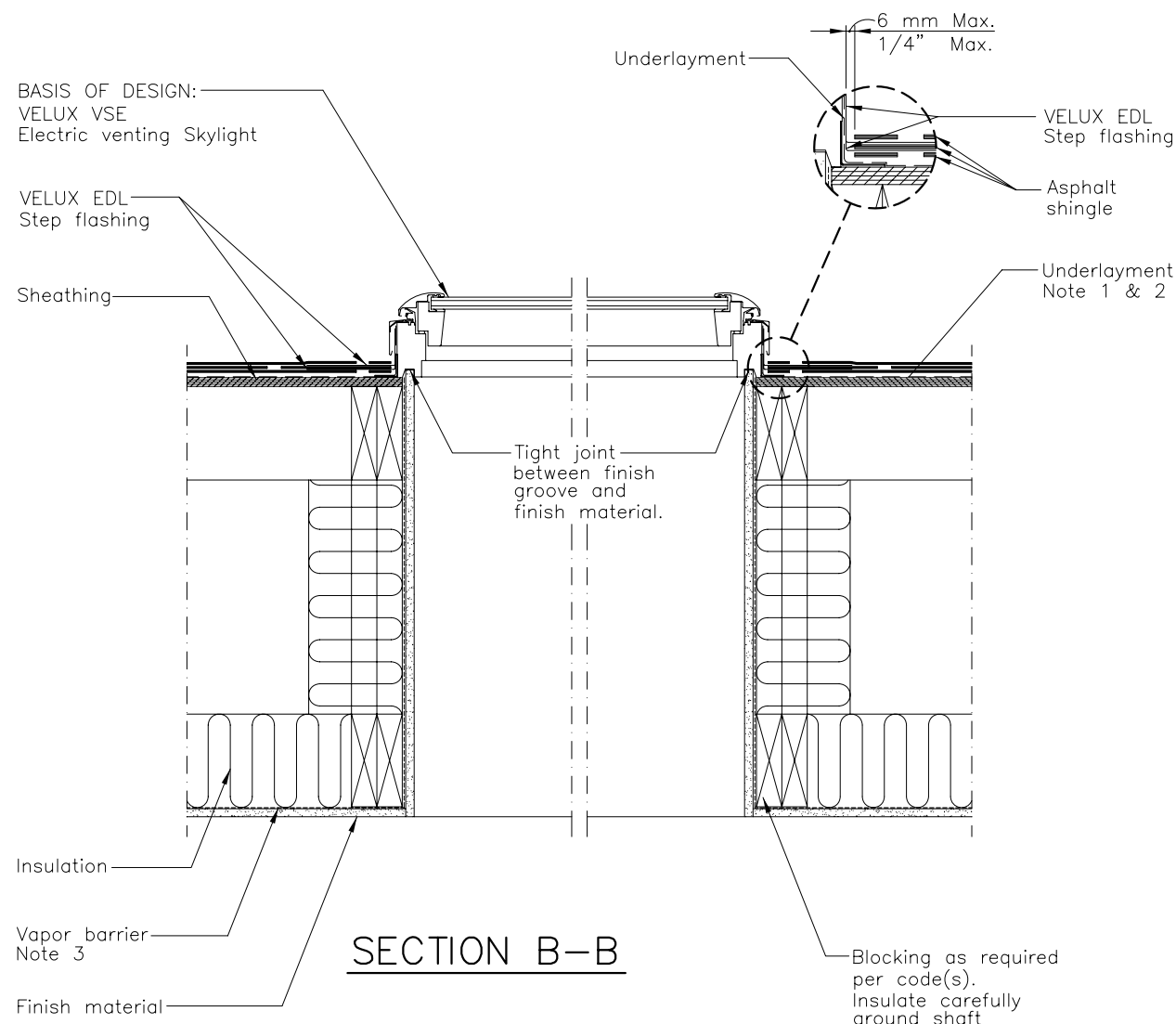


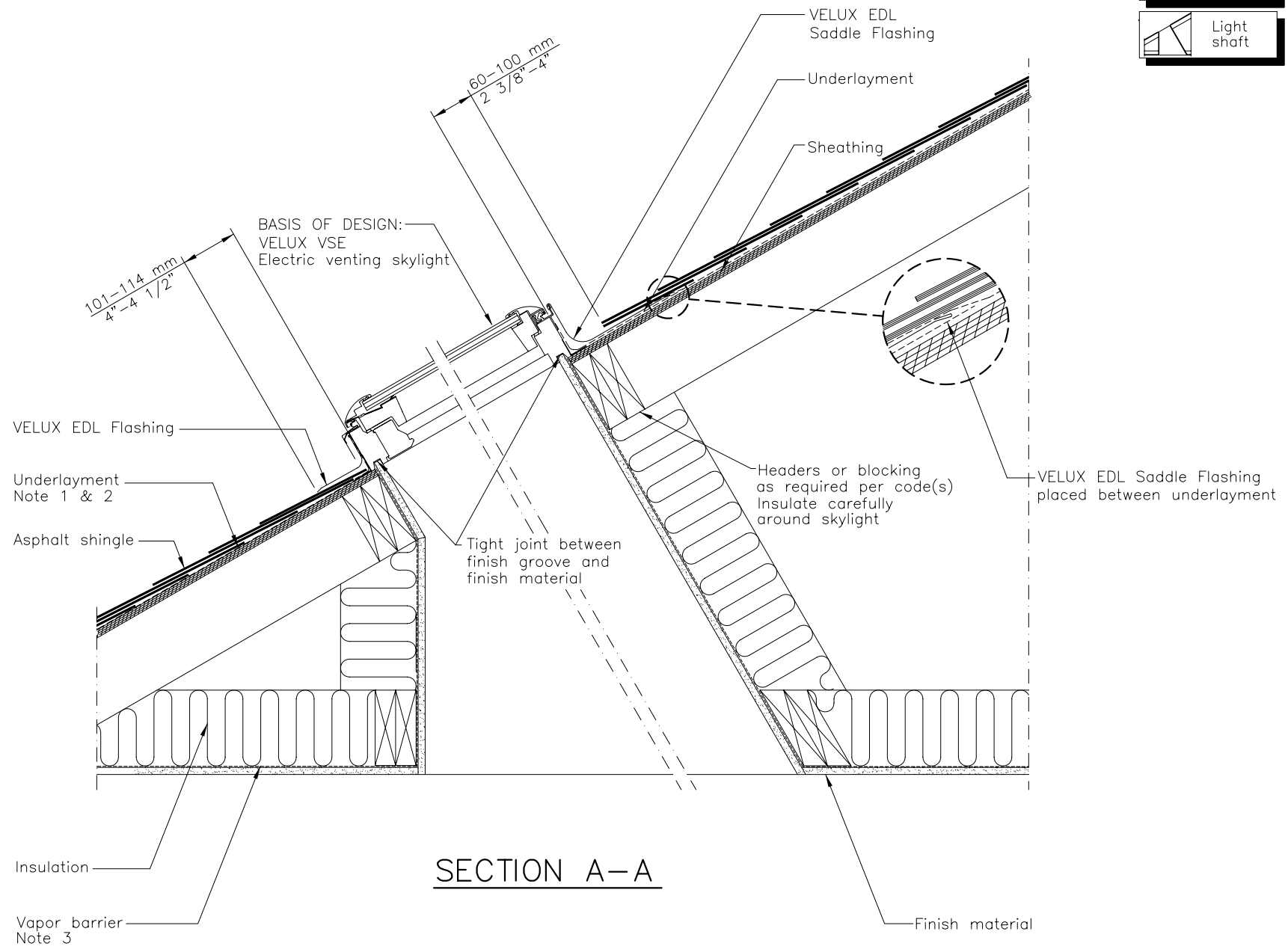
ELEVATION



	VSE
	EDL
	Asphalt shingles
	Light shaft



SECTION B-B



SECTION A-A

GENERAL NOTES

1. Wrap frame in ZOZ 216 adhesive underlayment provided with VELUX flashing.
2. Underlayment to be folded up against all sides of skylight.
3. Vapor barrier should be used to avoid moisture.

 Sky-Product Management	VELUX 1418 Evans Pond Road Greenwood, SC 29649 1-800-88-VELUX www.VELUXUSA.com	<table border="1"> <tr> <td>Name</td> <td>Date</td> </tr> <tr> <td>JDH</td> <td>Apr 10</td> </tr> <tr> <td>WQ, JL</td> <td>Apr 10</td> </tr> </table>	Name	Date	JDH	Apr 10	WQ, JL	Apr 10
	Name	Date						
JDH	Apr 10							
WQ, JL	Apr 10							
VSE-Residential/Commercial Roof Section (Light Shaft and Asphalt Shingles)		Drawing No. VSE-01-1208						

This drawing is an instrument of service and is provided for informational use only.