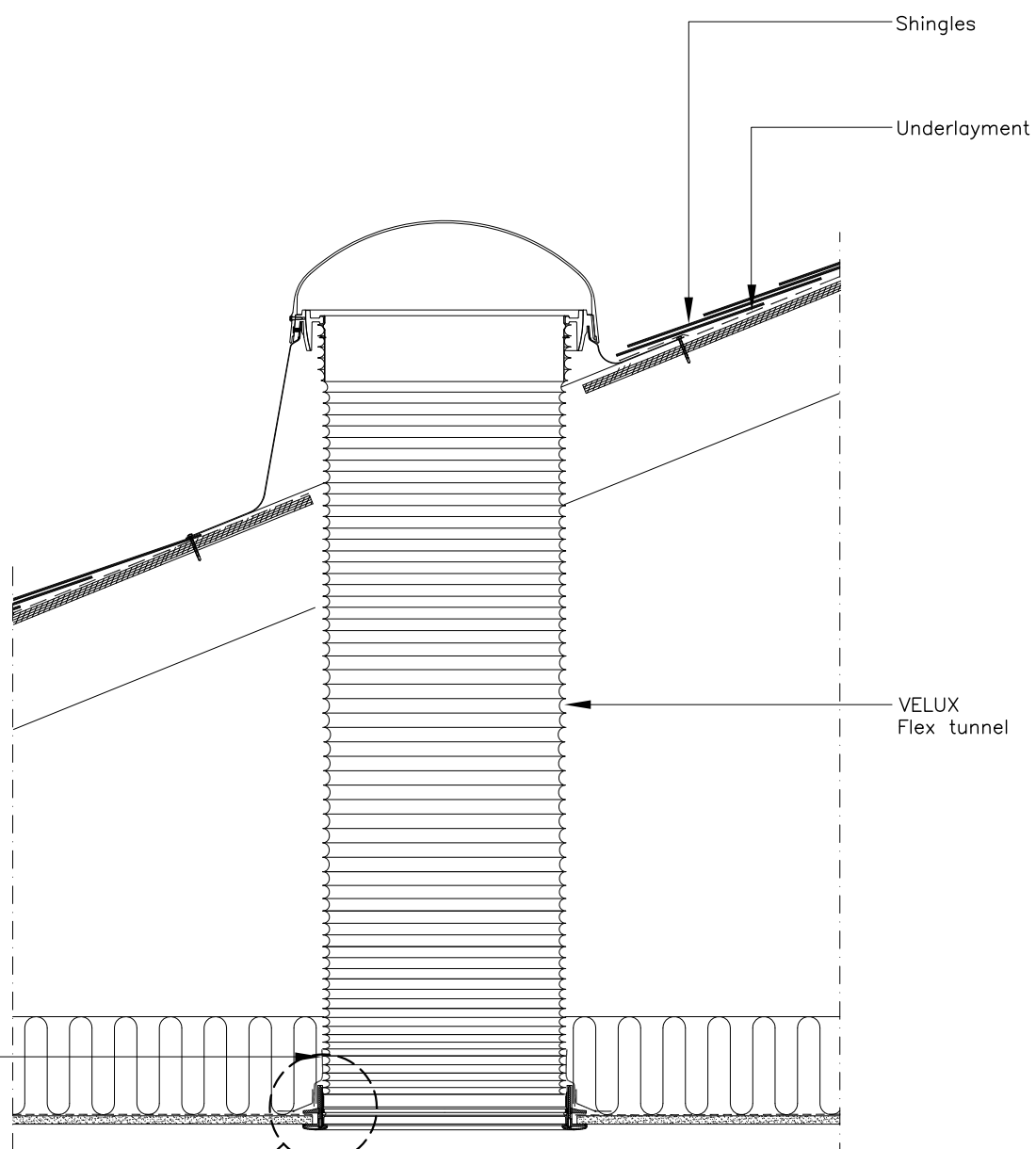


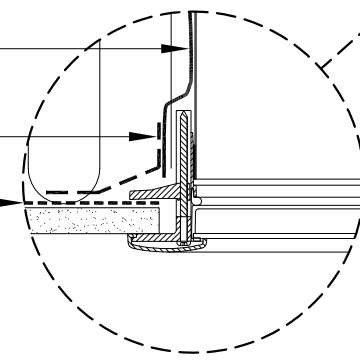
ELEVATION



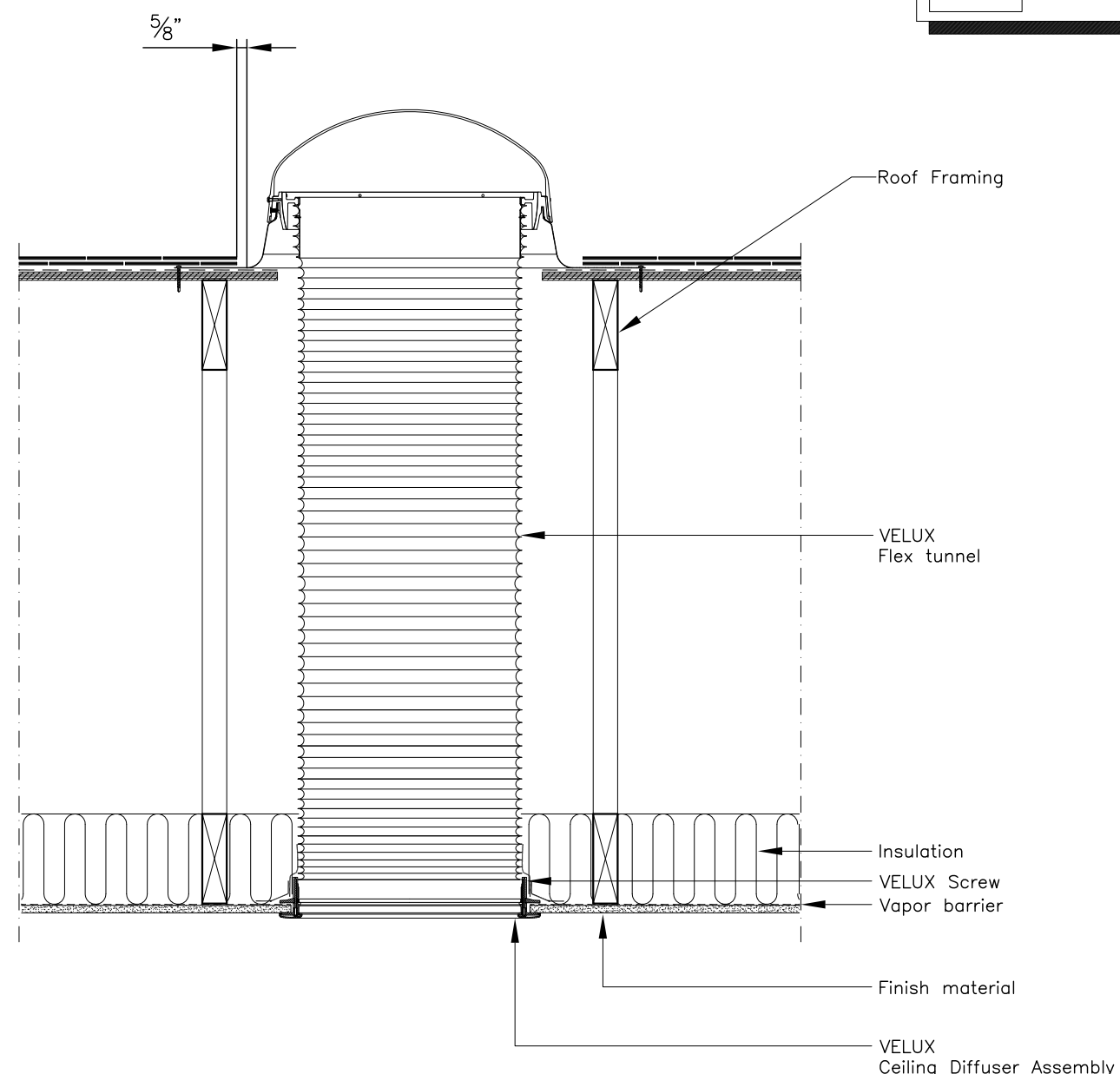
SECTION A-A

VELUX tape  
All joints  
must be sealed  
with tape, provided  
by VELUX

VELUX tape  
VELUX tape attaching  
to vapor barrier  
Vapor barrier



3:1



SECTION B-B

**TMF**

Asphalt shingles

14°-60°  
3:12 - 20:12

<p>VELUX 1418 Evans Pond Road Greenwood, SC 29649 1-800-88-VELUX www.VELUXUSA.com</p> <p>Sky-Product Management</p>	Name	Date
	JDH	Dec 2015
	Checked by	CJa, JL Dec 2015
	Drawing No.	TMF-01-1215

TMF 014 -VELUX SUN TUNNEL  
for Asphalt Shingle Roof

This drawing is an instrument of service and is provided for informational use only.