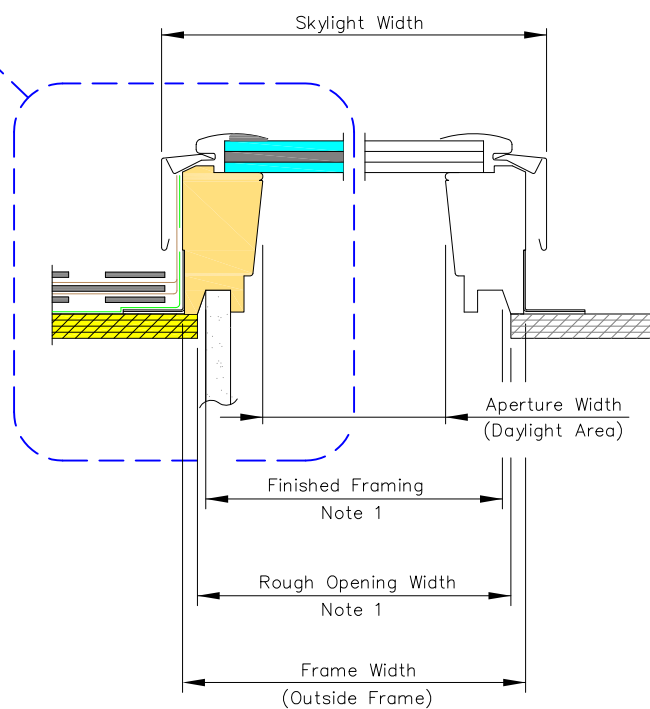
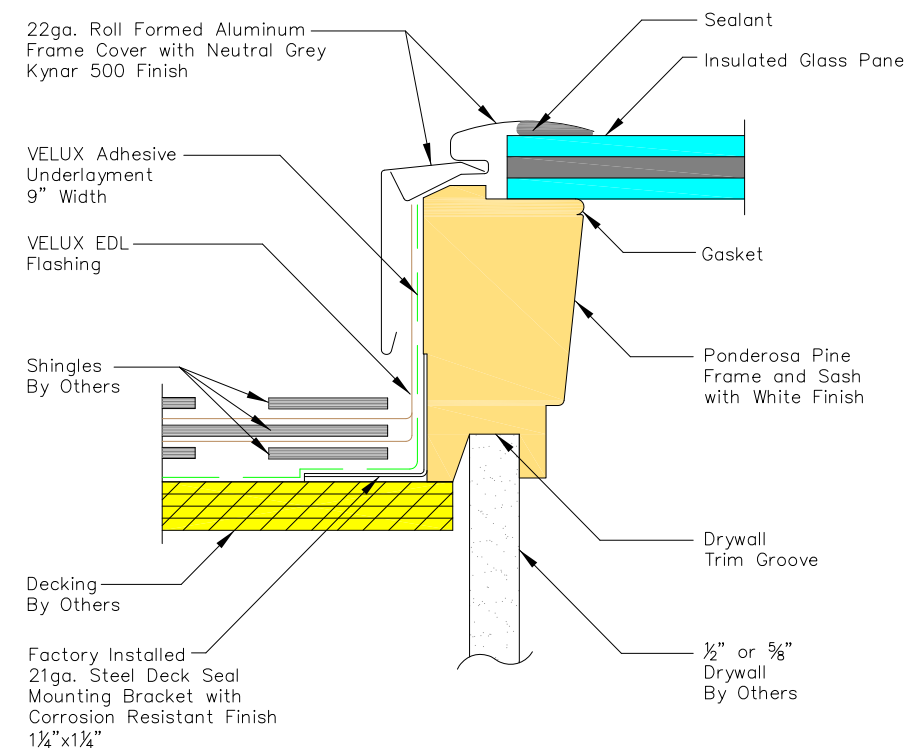


**VERTICAL CROSS SECTION**

SEE DETAIL 1



**HORIZONTAL CROSS SECTION**



**DETAIL 1**

**PRODUCT DIMENSIONS**

**METRIC UNITS (MILLIMETERS)**

| Size | Rough Opening Width | Frame Width | Frame Aperture Width | Skylight Width | Rough Opening Height | Frame Height | Frame Aperture Height | Skylight Height | Daylight Area (Sq. Meters) |
|------|---------------------|-------------|----------------------|----------------|----------------------|--------------|-----------------------|-----------------|----------------------------|
| A06  | 368                 | 387         | 303                  | 409            | 1162                 | 1175         | 1091                  | 1200            | .333                       |
| C01  | 533                 | 546         | 462                  | 568            | 682                  | 695          | 611                   | 720             | .282                       |
| C04  | 533                 | 546         | 462                  | 568            | 962                  | 975          | 891                   | 1000            | .412                       |
| C06  | 533                 | 546         | 462                  | 568            | 1162                 | 1175         | 1091                  | 1200            | .504                       |
| C08  | 533                 | 546         | 462                  | 568            | 1382                 | 1395         | 1311                  | 1420            | .606                       |
| C12  | 533                 | 546         | 462                  | 568            | 1784                 | 1797         | 1713                  | 1822            | .792                       |
| D26* | 572                 | 590         | 506                  | 612            | 582                  | 599          | 511                   | 620             | .259                       |
| D06* | 572                 | 590         | 506                  | 612            | 1162                 | 1175         | 1091                  | 1200            | .552                       |
| M02  | 763                 | 776         | 692                  | 798            | 762                  | 775          | 691                   | 800             | .486                       |
| M04  | 763                 | 776         | 692                  | 798            | 962                  | 975          | 891                   | 1000            | .617                       |
| M06  | 763                 | 776         | 692                  | 798            | 1162                 | 1175         | 1091                  | 1200            | .754                       |
| M08  | 763                 | 776         | 692                  | 798            | 1382                 | 1395         | 1311                  | 1420            | .909                       |
| S01  | 1123                | 1136        | 1052                 | 1158           | 682                  | 695          | 611                   | 720             | .644                       |
| S06  | 1123                | 1136        | 1052                 | 1158           | 1162                 | 1175         | 1091                  | 1200            | 1.148                      |

**IMPERIAL UNITS (INCHES)**

| Size | Rough Opening Width | Frame Width | Frame Aperture Width | Skylight Width | Rough Opening Height | Frame Height | Frame Aperture | Skylight Height | Daylight Area (Sq. Feet) |
|------|---------------------|-------------|----------------------|----------------|----------------------|--------------|----------------|-----------------|--------------------------|
| A06  | 14 1/2              | 15 1/4      | 11 15/16             | 16 1/8         | 45 3/4               | 46 1/4       | 42 15/16       | 47 1/4          | 3.56                     |
| C01  | 21                  | 21 1/2      | 18 3/16              | 22 3/8         | 26 7/8               | 27 3/8       | 24 1/16        | 28 3/8          | 3.04                     |
| C04  | 21                  | 21 1/2      | 18 3/16              | 22 3/8         | 37 7/8               | 38 3/8       | 35 1/16        | 39 3/8          | 4.43                     |
| C06  | 21                  | 21 1/2      | 18 3/16              | 22 3/8         | 45 3/4               | 46 1/4       | 42 15/16       | 47 1/4          | 5.43                     |
| C08  | 21                  | 21 1/2      | 18 3/16              | 22 3/8         | 54 7/16              | 54 15/16     | 51 5/8         | 55 15/16        | 6.52                     |
| C12  | 21                  | 21 1/2      | 18 3/16              | 22 3/8         | 70 1/4               | 70 3/4       | 67 7/16        | 71 3/4          | 8.52                     |
| D26* | 22 1/2              | 23 1/4      | 19 15/16             | 24 1/16        | 22 15/16             | 23 7/16      | 20 1/8         | 24 7/16         | 2.78                     |
| D06* | 22 1/2              | 23 1/4      | 19 15/16             | 24 1/16        | 45 3/4               | 46 1/4       | 42 15/16       | 47 1/4          | 5.94                     |
| M02  | 30 1/16             | 30 9/16     | 27 1/4               | 31 7/16        | 30                   | 30 1/2       | 27 3/16        | 31 1/2          | 5.15                     |
| M04  | 30 1/16             | 30 9/16     | 27 1/4               | 31 7/16        | 37 7/8               | 38 3/8       | 35 1/16        | 39 3/8          | 6.64                     |
| M06  | 30 1/16             | 30 9/16     | 27 1/4               | 31 7/16        | 45 3/4               | 46 1/4       | 42 15/16       | 47 1/4          | 8.13                     |
| M08  | 30 1/16             | 30 9/16     | 27 1/4               | 31 7/16        | 54 7/16              | 54 15/16     | 51 5/8         | 55 15/16        | 9.77                     |
| S01  | 44 1/4              | 44 3/4      | 41 7/16              | 45 9/16        | 26 7/8               | 27 3/8       | 24 1/16        | 28 3/8          | 6.92                     |
| S06  | 44 1/4              | 44 3/4      | 41 7/16              | 45 9/16        | 45 3/4               | 46 1/4       | 42 15/16       | 47 1/4          | 12.36                    |

**STANDARD GLAZING OPTIONS:**

- Laminated LowE3 (04)
- Tempered LowE3 (05)
- Impact (06)
- Snowload (10)

**COMPATIBLE FLASHINGS:**

- EDL Step flashing
- EKL/EKX Combi flashing
- EDW Tile flashing
- EKW/EKX Combi tile flashing
- EDM Metal roof flashing
- ECB Counter flashing for curbs

\* BUILDER SERIES SKYLIGHT

**NOTES:**

1. The ROUGH OPENING and FINISHED FRAMING dimensions are based on perpendicular interior finish material on all four sides and these dimensions will vary depending on the roof construction, the thickness and the design of the interior finish material.



VELUX  
1418 Evans Pond Road  
Greenwood, SC 29649  
1-800-88-VELUX  
www.VELUXUSA.com

**FS - Fixed Skylight**