

QFT/QVT/QET

Installation instructions for Thermo-Lite series skylights

VELUX®

Skylights

QFT/QVT/QET



Installation instructions

Please read these instructions carefully. They will assure you an easy and trouble-free installation.

Important notes

These instructions only apply to Thermo-Lite series skylights installed on roofs with pitches of no less than 3:12, using roofing materials no more than 1" thick.

Thermo-Lite series skylight		
Model	Frame Size	Rough Opening
QFT QVT	1430	14½" x 30½"
QFT QVT	1445	14½" x 45½"
QFT QVT	1460	14½" x 60½"
QFT QVT QET	2222	22½" x 22½"
QFT QVT QET	2230	22½" x 30½"
QFT QVT QET	2245	22½" x 45½"
QFT QVT QET	2260	22½" x 60½"
QFT QVT QET	3030	30½" x 30½"
QFT QVT QET	3045	30½" x 45½"
QFT QVT QET	3060	30½" x 60½"
QFT QVT QET	4522	45½" x 22½"
QFT QVT QET	4530	45½" x 30½"
QFT QVT QET	4545	45½" x 45½"

Standard information

The Thermo-Lite series comes standard with continuous perimeter copper flashing. The standard Thermo-Lite series unit is an integrally mounted skylight. The curb drops into the rough opening and is secured to the truss or rafter by nailing or screwing through the curb, perpendicular to the framing member.

If you require a deck mounted (flush cut) unit in this series that does not drop into the opening, you must request it as it is not the standard model of manufacture. However, it is available as a special order. Flush cut units are secured to roof decking with pre-attached mounting brackets and screws. If you have any questions regarding the above, please call our customer service department for additional information and assistance.

NOTICE

All GLASS MAY BE SUBJECT TO UNEXPECTED AND SPONTANEOUS BREAKAGE in rare circumstances due to imperfections in the glass that are undetectable during the manufacturing and inspection process by the manufacturer of the glass and VELUX.

VELUX offers the choice of laminated or tempered glass skylights. Laminated glass is a combination of two or more glass sheets with one or more interlayers of plastic (PVB) or resin. In case of breakage, the interlayer is designed to hold the fragments together. Tempered glass does not contain an interlayer to hold the fragments together. Instead, tempered glass is designed to break into small, pebble-like pieces. When tempered glass breaks, pieces of glass come loose and may strike an individual.

CONSULT LOCAL REGULATIONS AND/OR BUILDING MATERIAL CONSULTANTS TO DETERMINE WHICH TYPE OF GLASS IS RIGHT FOR YOU OR IF LAMINATED GLASS IS REQUIRED IN YOUR APPLICATION.

Please note

It is not necessary to remove the hatch in order to install the skylight. However, if removal is desirable in order to reduce weight during transport to the roof, the hatch can easily be removed as follows:

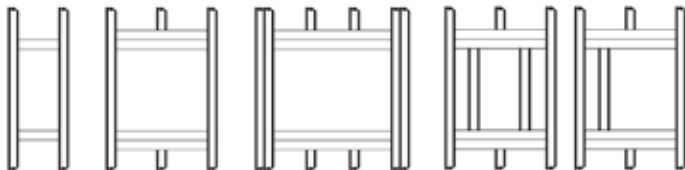
Venting: Open the roof window with the operator. Remove egress pin which secures the operator chain to the sash bracket. Replace pin in bracket for storage. Raise front of hatch cover to beyond a 60° angle and disengage hatch from the rain diverter hinge bar.

Fixed: Carefully remove screws at bottom of hatch that secure it to the wood curb. Lift hatch and disengage as described above.

Thermo-Lite installation

- 1 Determine the desired location within the room. Mark the ceiling using a carpenter's square. Positioning the opening between joists will keep your work to a minimum.
- 2 Carefully cut out the interior ceiling. Be sure not to cut electrical wires, plumbing, etc. You are now ready to open the roof.
- 3 Frame the opening with the same size dimensional lumber as the roof rafters. Check local building code for header size. Then, carefully remove the roofing shingles 12 inches around the opening on top and sides only. Save these shingles for use when flashing skylight.

Examples of framing details



- 4 Prior to placing the skylight into the rough opening, you must weather proof the perimeter sheathing around the opening. You can apply a generous coat of roofing cement or silicone around the opening.
- 5 Place the skylight squarely over the opening and carefully lower into place. The unit will not fall through the opening because the perimeter flashing is attached to the curb of the unit. Do not push the unit down into opening. Make sure flashing lays flat on roof deck.

VELUX America Inc.

450 Old Brickyard Road • PO Box 5001 • Greenwood, SC 29648-5001
Tel 1-800-878-3589 • Fax 1-864-943-2631 • www.veluxusa.com

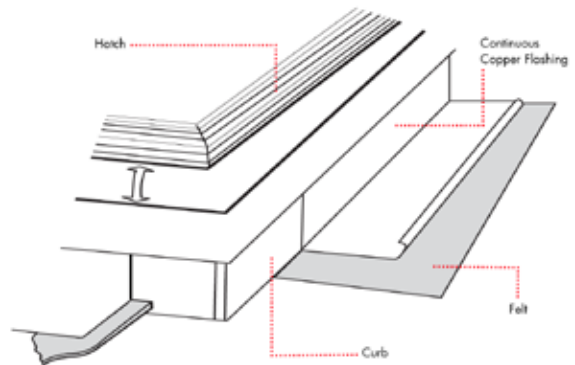
V-USA 2781-0109

©2008 VELUX Group

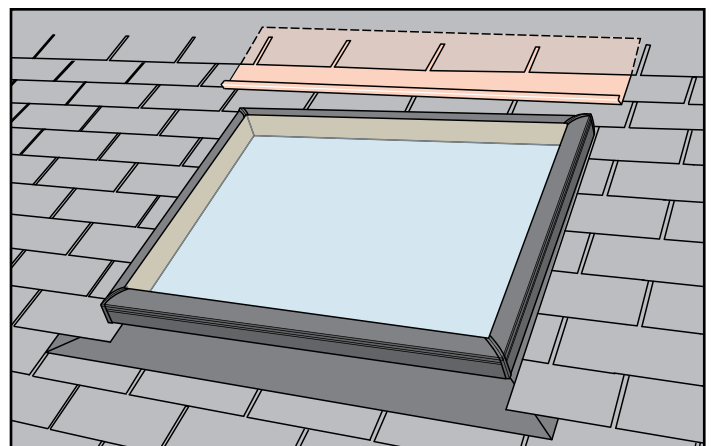
*VELUX and VELUX logo are registered trademarks of VELUX Group

445152-0209

- 6 Square and plumb the unit into the opening and shim where necessary. Nail or screw through curb into rafter or truss to secure the skylight.
- 7 Re-shingle around the unit by running a finish course under the front apron and succeeding courses on top of the side rakes and head flashing. Do not nail through the flashing under any circumstances.



- 8 Check that all shingles are in place. Be careful that no nails in shingles pierce any part of the flashing.
- 9 If you remove the hatch from a vented skylight, replace hatch by holding hatch at a 60° angle and attaching at rear to hinge assembly on curb. Lower front of hatch and reconnect operator chain to bracket with pin removed earlier. For a fixed skylight replace hatch as above and secure with screws at bottom of hatch.
- 10 Finish interior by using sheetrock or other finishing materials compatible with interior of room. A finishing return is provided at the bottom of the curb for transition with interior finish material.



Take precautions on roofs where sliding snow and extreme water run off is likely to occur by installing a snow deflector or rain diverter (supplied by others) above any Thermo-Lite skylight with a frame width greater than 45". Thermo-Lite skylights with frame widths less than 45" may also require the installation of snow deflectors or rain diverters on roofs where there are hazards of sliding snow or heavy run off of water above the skylights.