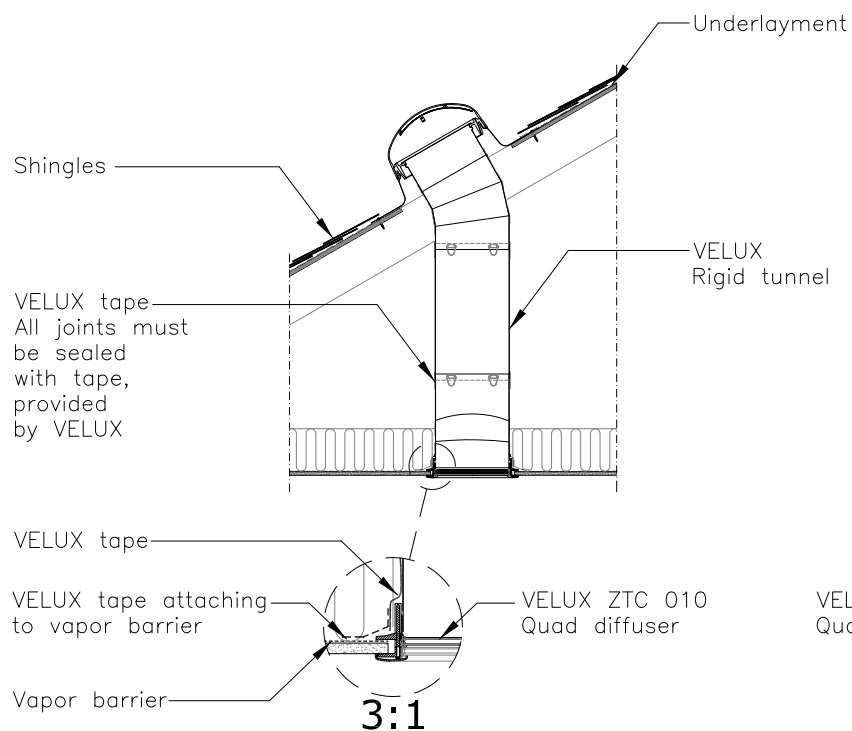
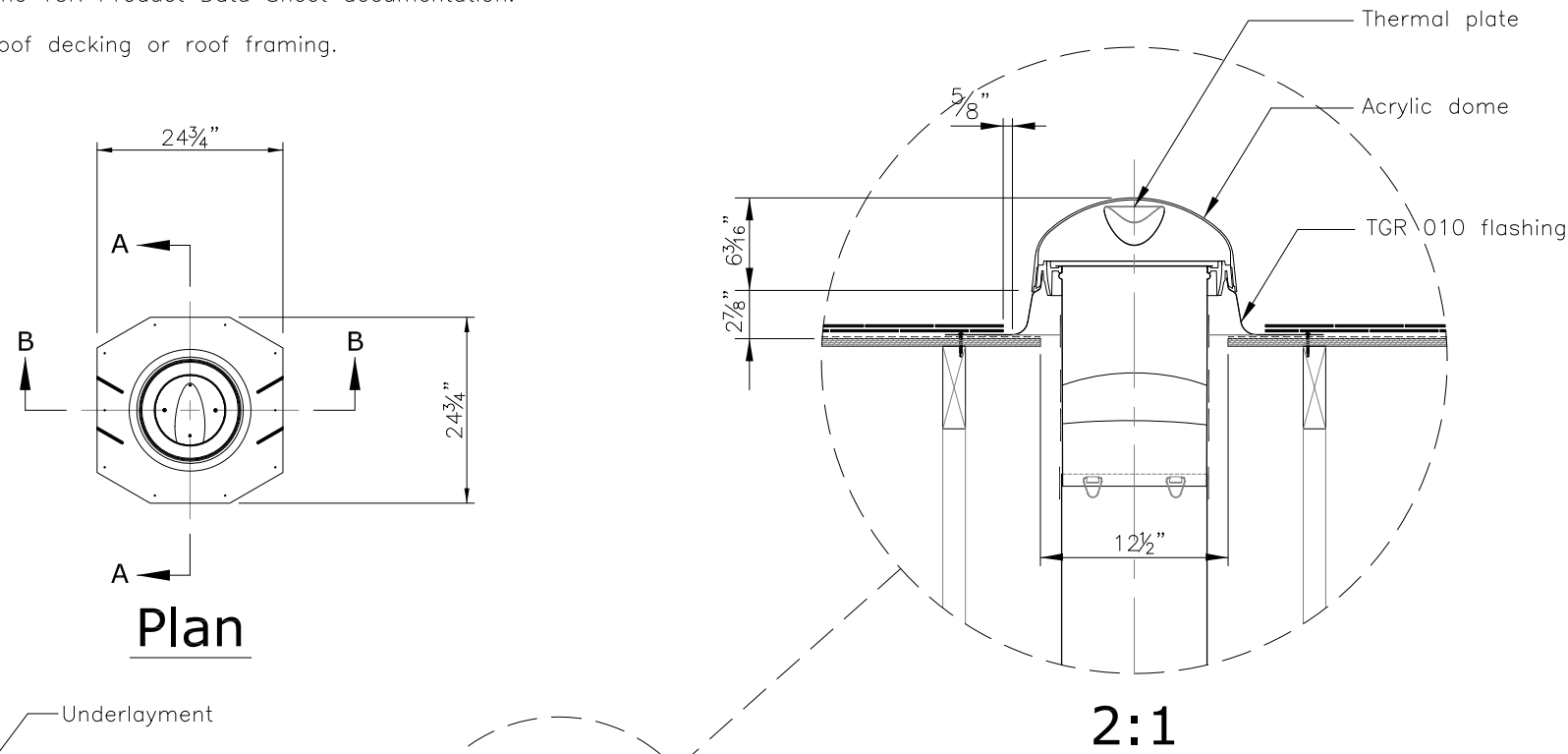
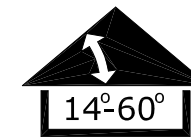
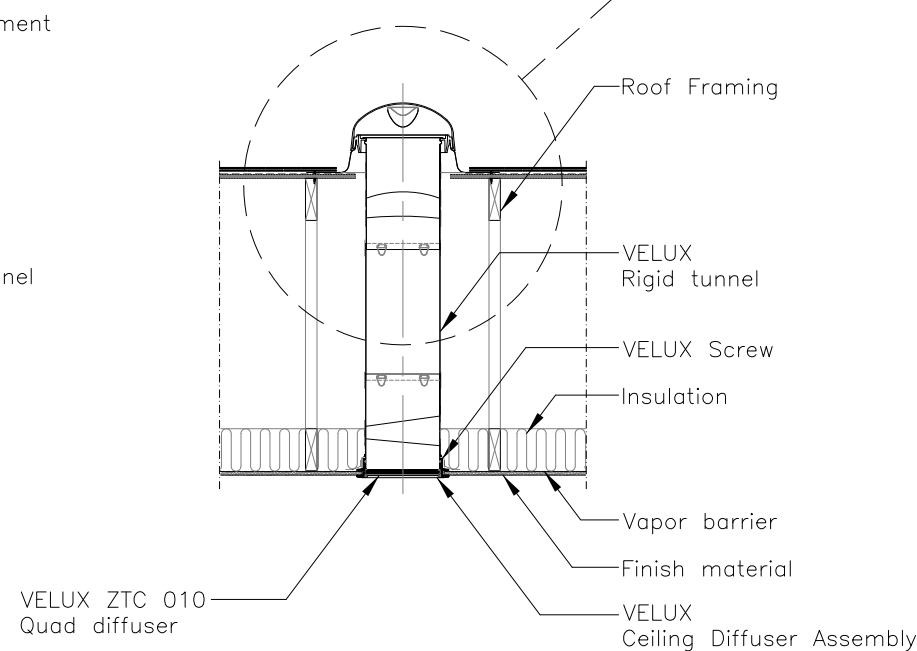


General Notes

1. This drawing emphasizes the TGR 010 low profile pan flashed VELUX SUN TUNNEL Skylight. It illustrates a general arrangement layout (plus recommendations) for a VELUX TGR 010 installation in a 14–60 degree roof pitch application utilizing a hard ceiling installation.
2. The architectural/structural design and specifications for the inclusion of a tubular daylighting device, such as the VELUX TGR 014, in any roofing/ceiling application is determined and provided by others. The design criteria includes, but is not limited to design loads, structural configurations, structural framing member sizes and material, architectural finishes and integration with the roofing/ceiling systems of the building. VELUX assumes no responsibility or liability in the design, construction and performance of a building structure by others.
3. Dimensions shown are nominal, unless indicated otherwise.
4. Product specific dimensions are referenced in the TGR Product Data Sheet documentation.
5. VELUX recommends fastening TGR flashing to roof decking or roof framing.

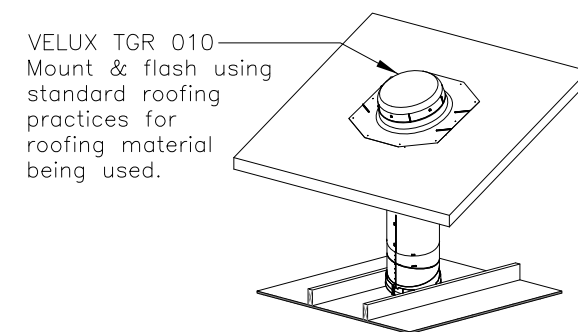


Section A-A



Section B-B

TGR 010 Components	Quantity
TGR 010 0000 EO <ul style="list-style-type: none"> • Acrylic Dome • Counter flashing assembly • Top collar (4"/.1m) • 24"/.61m Rigid tunnel • (2) 12"/.30m Rigid elbows • Tape for tunnel joints • Hardware bag 	
Option <ul style="list-style-type: none"> • TGR 010 1000 EO – Impact Polycarbonate dome 	
<ul style="list-style-type: none"> • ZTC 010 0041US Residential energy kit (Thermal plate & diffusing disc) 	
Option: ZTR 010 Rigid Tunnel Extensions <ul style="list-style-type: none"> • ZTR 010 0002 24"/.61m Rigid tunnel • ZTR 010 0004 48"/1.22m Rigid tunnel • ZTR 010 0006 72"/1.83m Rigid tunnel • ZTR 010 0012 144"/3.66m Rigid tunnel • ZTR 010 0024 288"/7.32m Rigid tunnel 	



General Arrangement Layout

	VELUX 1418 Evans Pond Road Greenwood, SC 29649 1-800-88-VELUX www.VELUXUSA.com	<table border="1"> <tr> <th>Name</th> <th>Date</th> </tr> <tr> <td>Drawn by JDH</td> <td>July 2015</td> </tr> <tr> <td>Checked by JL,CJ</td> <td>July 2015</td> </tr> </table>	Name	Date	Drawn by JDH	July 2015	Checked by JL,CJ	July 2015
	Name	Date						
Drawn by JDH	July 2015							
Checked by JL,CJ	July 2015							
Sky-Product Management	Residential SUN TUNNEL Skylight TGR 010 Super energy efficient (TGR 010 0000EO/TGR 010 1000EO)	Drawing No. TGR 010-01-0715						

This drawing is an instrument of service and is provided for informational use only.