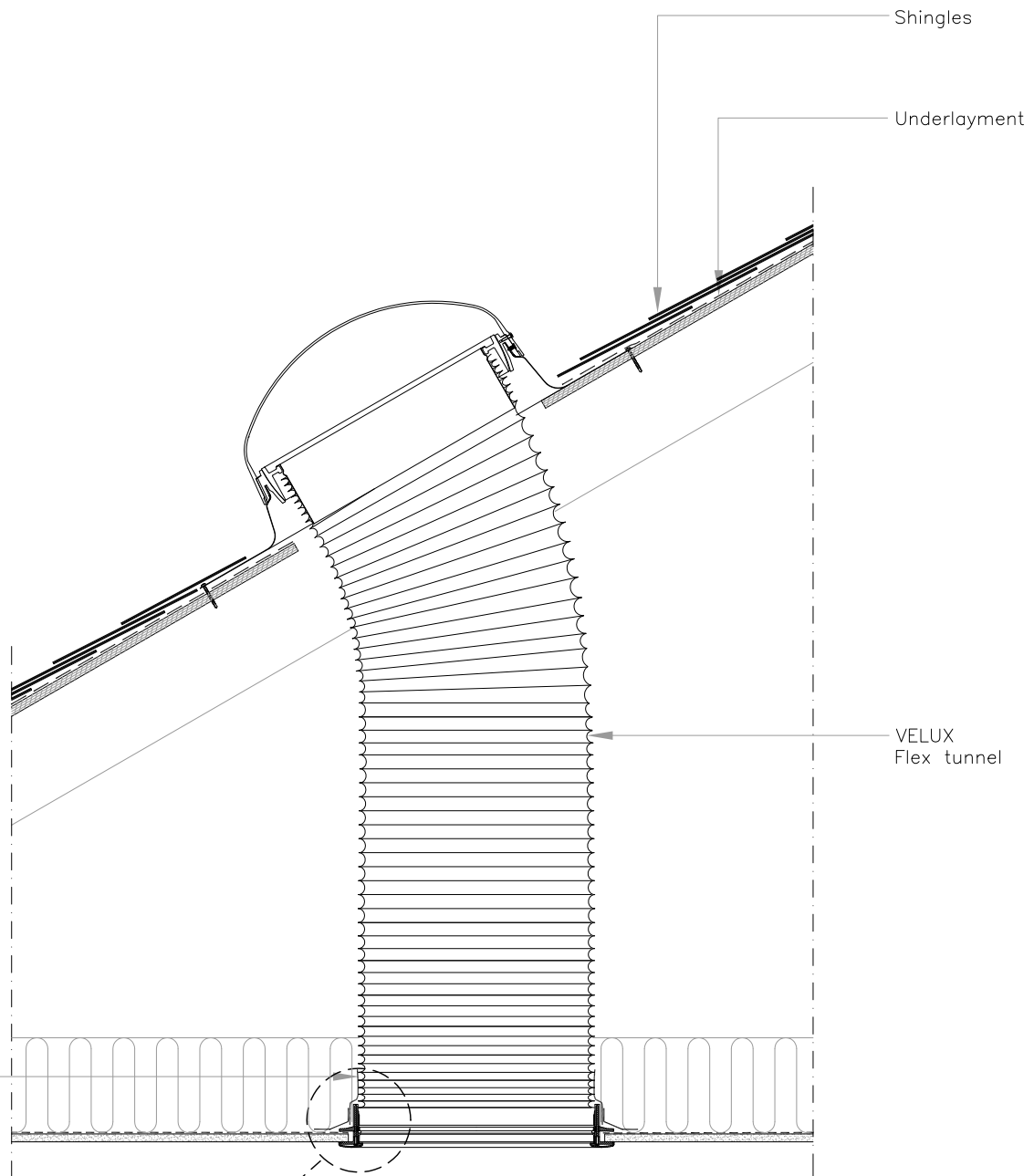
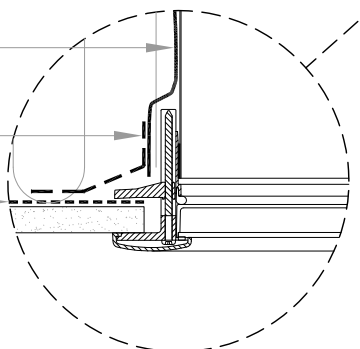


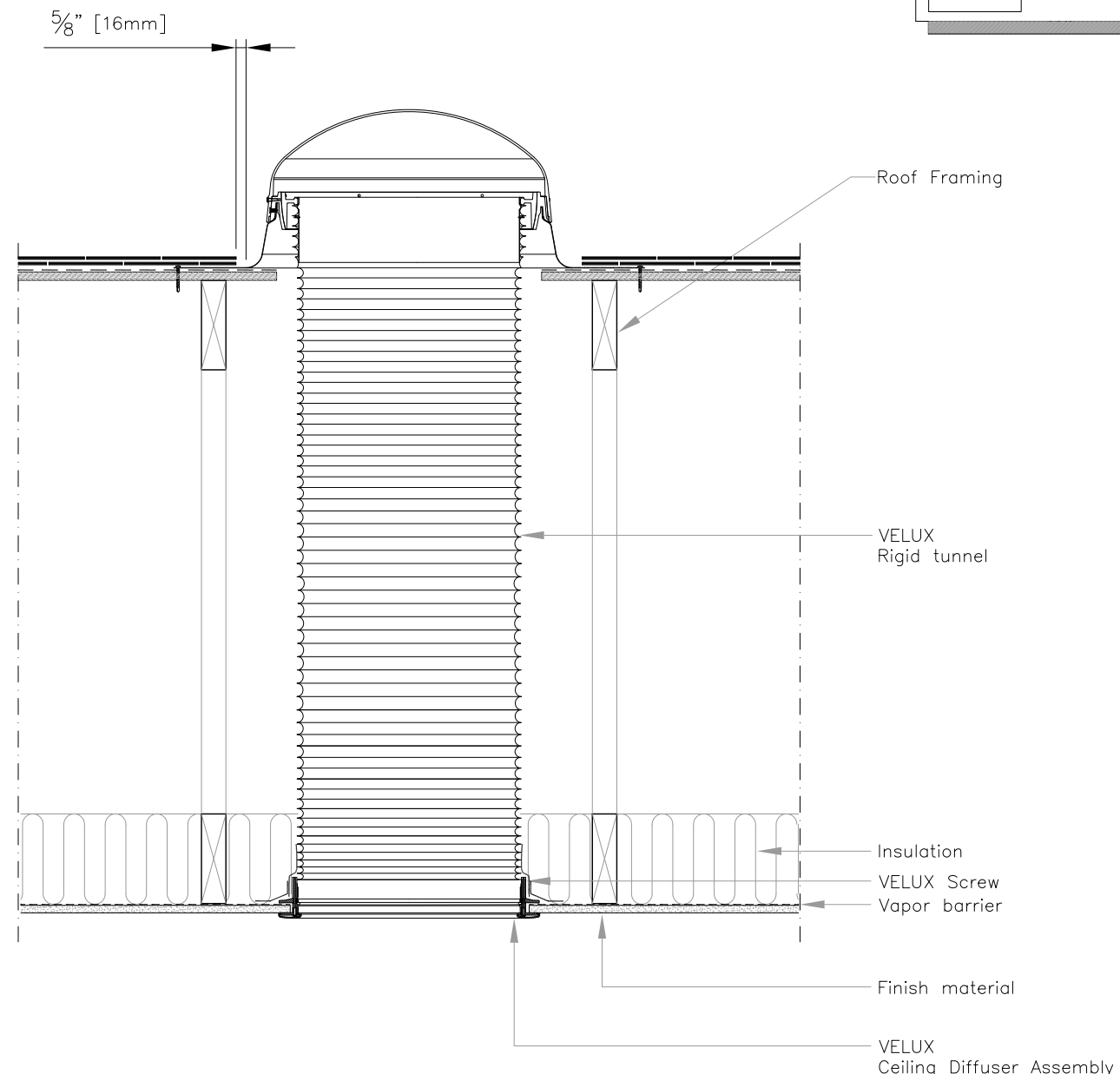
ELEVATION



SECTION A-A



3:1



SECTION B-B

TGF

Asphalt shingles

14°-60°
3:12 - 20:12

	VELUX 1418 Evans Pond Road Greenwood, SC 29649 1-800-88-VELUX www.VELUXUSA.com		Name	Date
	Sky-Product Management	Drawn by JDH Checked by CJ, JL	Dec 2013 Dec 2013	
TGF 014 - VELUX SUN TUNNEL for Asphalt Shingle Roof			Drawing No. TGF-01-1213	

This drawing is an instrument of service and is provided for informational use only.