

General Notes

1. This drawing emphasizes the TGF 014 low profile pan flashed VELUX SUN TUNNEL Skylight. It illustrates a general arrangement layout (plus recommendations) for a VELUX TGF 014 installation in a 14–60 degree roof pitch application utilizing a hard ceiling installation. References for corresponding TGF 022 dimensions are included (in parentheses).
2. The architectural/structural design and specifications for the inclusion of a tubular daylighting device, such as the VELUX TGF 014, in any roofing/ceiling application is determined and provided by others. The design criteria includes, but is not limited to design loads, structural configurations, structural framing member sizes and material, architectural finishes and integration with the roofing/ceiling systems of the building. VELUX assumes no responsibility or liability in the design, construction and performance of a building structure by others.
3. Dimensions shown are nominal, unless indicated otherwise.
4. TGF 014 0000 nominal diameter is 14". TGF 022 0000 nominal diameter is 22".
5. Rough opening dimensions vary with roof slope. Roof opening dimensions are referenced in the TGF/TMF Installation Instructions.
6. VELUX recommends fastening TGF flashing to roof decking or roof framing.
7. Minimum 1 1/4" clearance required around ceiling rough opening, to fit trim ring.



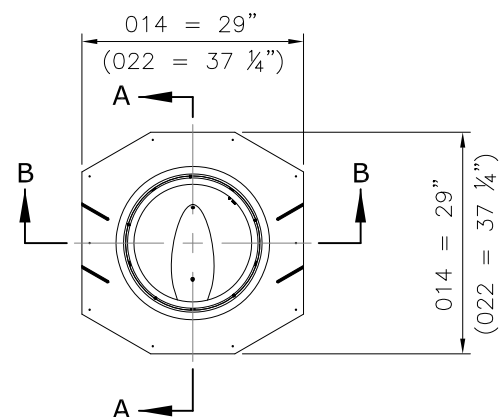
TGF Components

TGF 014 0000/TGF 022 0000

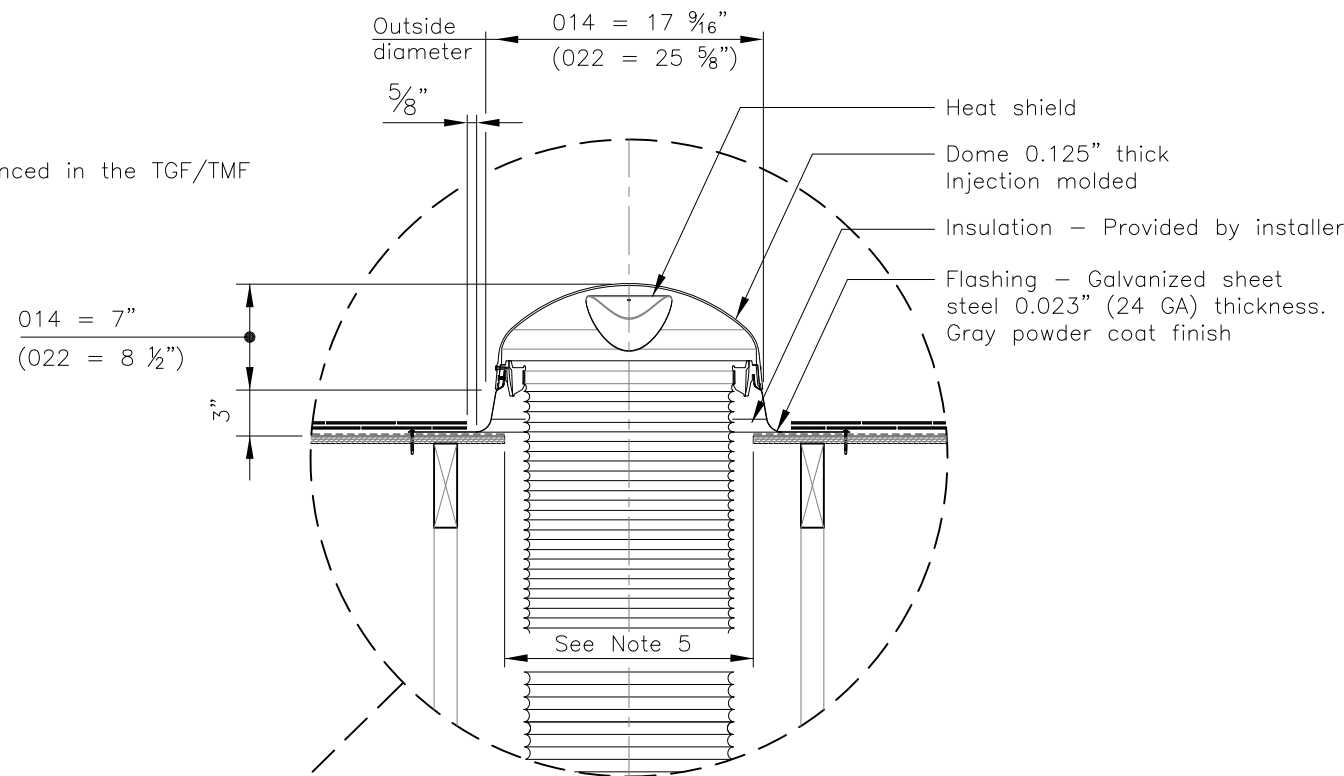
- Acrylic Dome
 - Counter flashing assembly
 - 8'/2.44m Flex tunnel
 - Tape for tunnel joints
 - Hardware bag
- Option TGF 014 1000/TGF 022 1000 Impact Polycarbonate dome
 - Ceiling ring assembly with crackle over frosted diffuser
 - Gasket material for diffuser
 - Hardware bag
- Options ZTC 014/022 0002US—Prismatic diffuser
 - ZTC 014/022 0003US—Fresnel diffuser

Option: ZTC 014/ZTC 022 0041US Energy kit

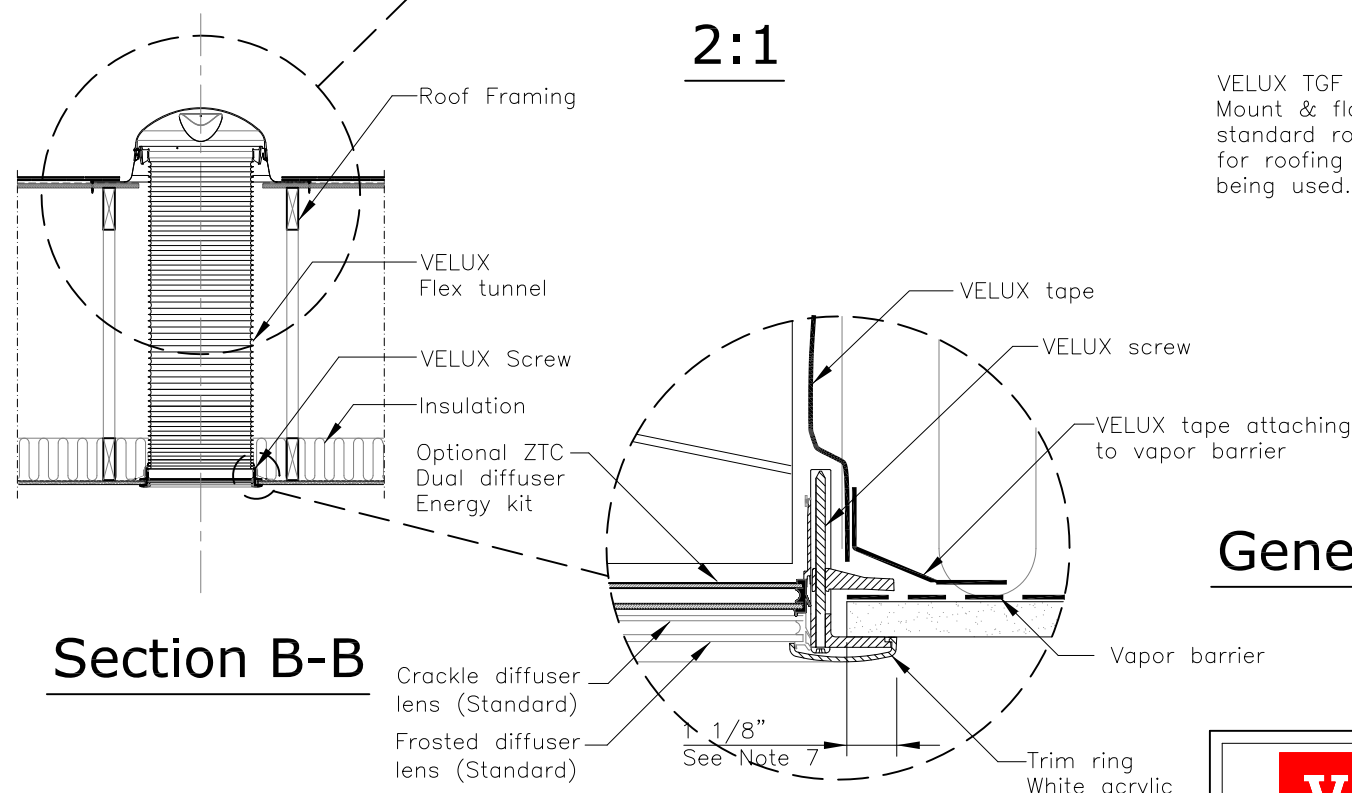
- Residential energy kit (Heat shield & quad diffuser)



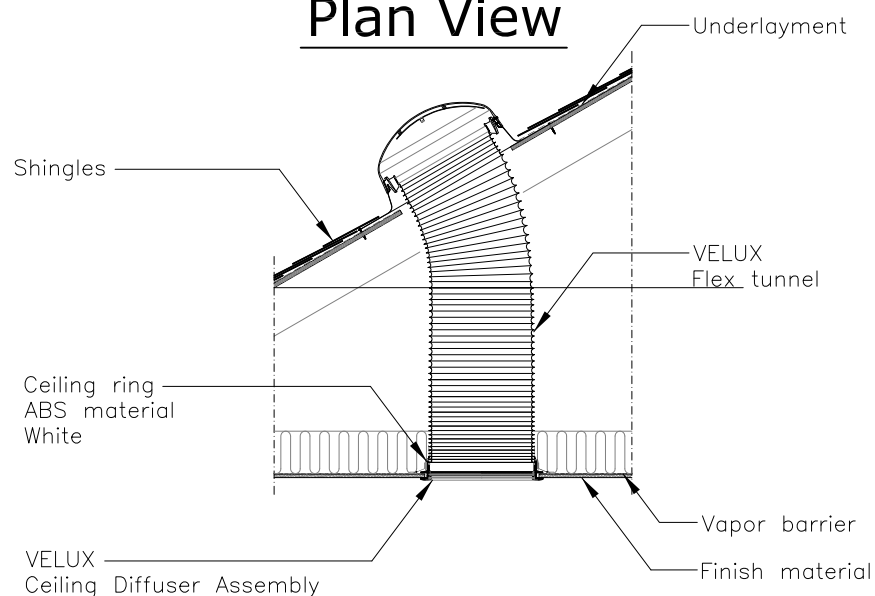
Plan View



2:1

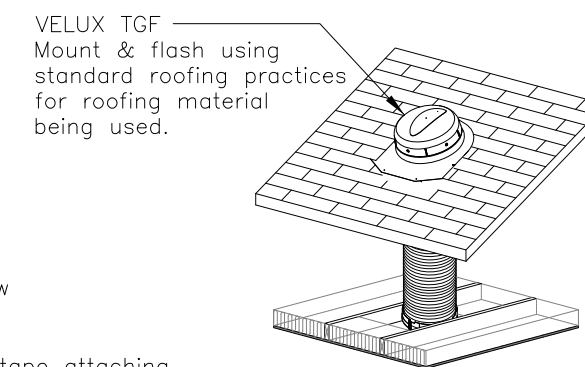


10:1



Section A-A

Section B-B



General Arrangement Layout

Sky-Global Product Management

VELUX
1418 Evans Pond Road
Greenwood, SC 29649
1-800-88-VELUX
www.VELUXUSA.com

TGF - Residential SUN TUNNEL