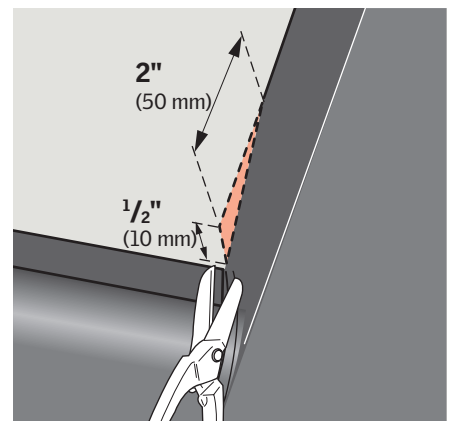
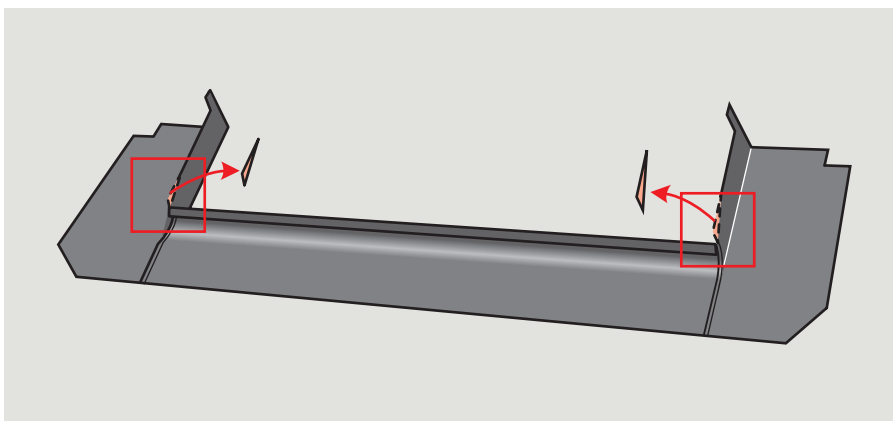
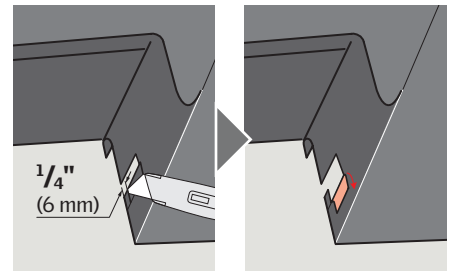
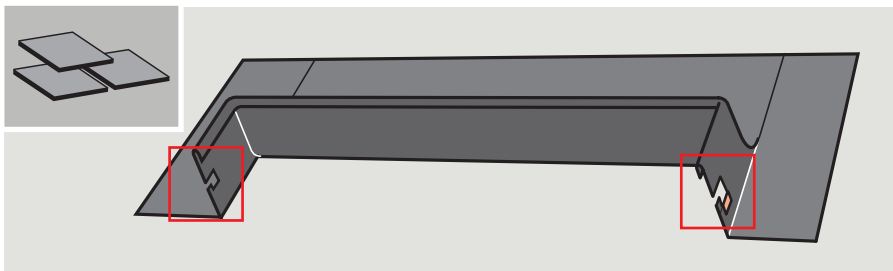
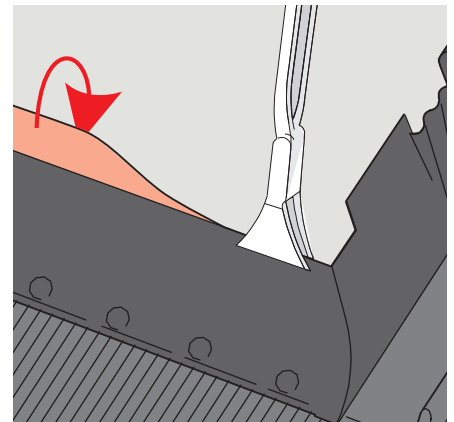
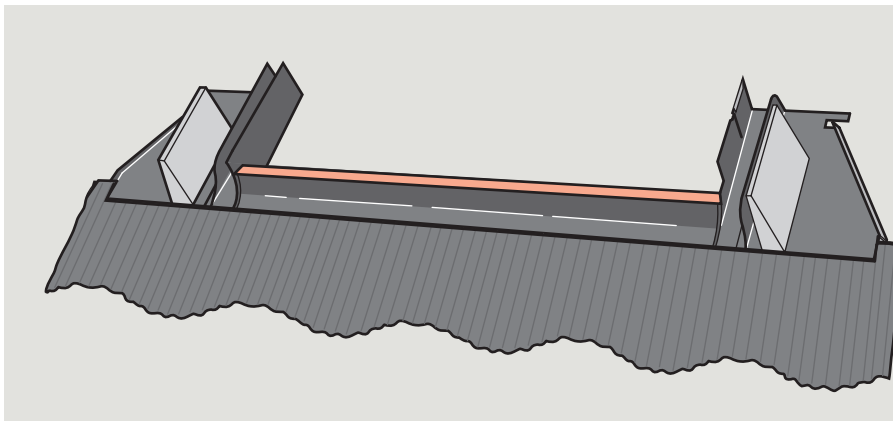
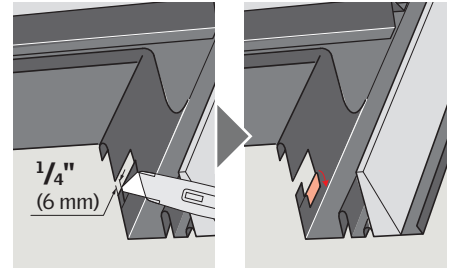
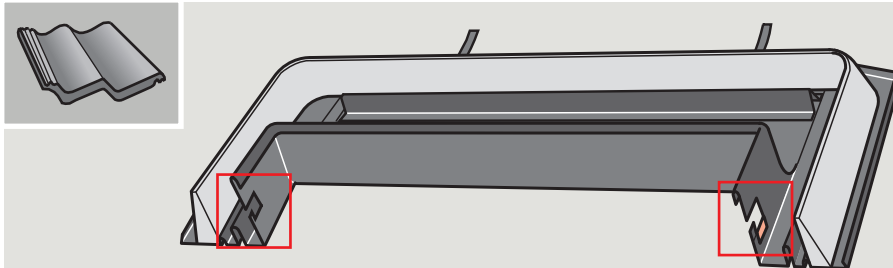


# Supplementary flashing instruction for FS, VS, VSE

## 取り付け補足事項 (FS, VS, VSE)



**USA:**  
VELUX America Inc.  
1-800-88-VELUX

**CDN:**  
VELUX Canada Inc.  
1 800 88-VELUX  
(888-3589)

**AUS:**  
VELUX Australia Pty. Ltd  
(02) 1300 859 856

**NZ:**  
VELUX New Zealand Ltd.  
0800 650 445

**J:**  
VELUX-Japan Ltd.  
03(3478)81 41

