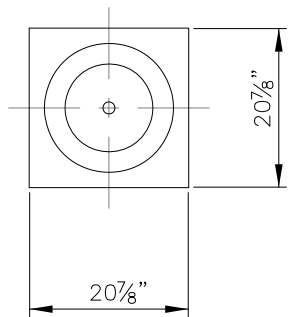
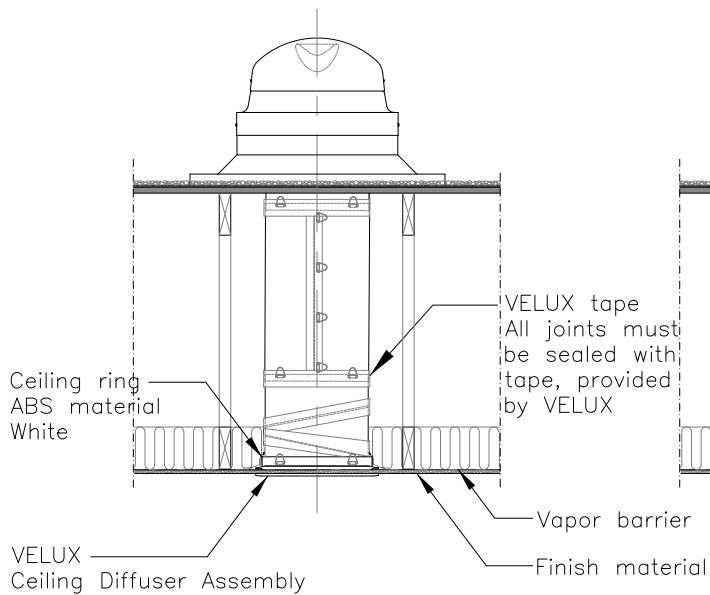


General Notes

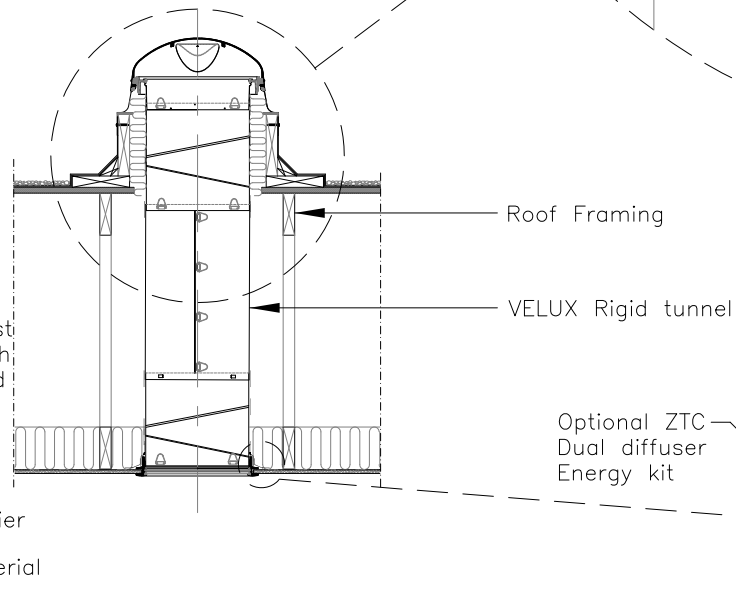
1. This drawing emphasizes the TCR 014 VELUX SUN TUNNEL Skylight. It illustrates a general arrangement layout (plus recommendations) for a VELUX TCR installation in a 0–60 degree roof pitch application utilizing a hard finished (i.e. drywall type) ceiling installation.
2. The architectural/structural design and specifications for the inclusion of a tubular daylighting device, such as the VELUX TCR 014, in any roofing/ceiling application is determined and provided by others. The design criteria includes, but is not limited to design loads, structural configurations, structural framing member sizes and material, architectural finishes and integration with the roofing/ceiling systems of the building. VELUX assumes no responsibility or liability in the design, construction and performance of a building structure by others.
3. Dimensions shown are nominal, unless indicated otherwise.
4. TCR 014 0000 nominal diameter is 14".
5. Maximum tunnel length is 20'. Minimum tunnel length is 16".
6. Minimum 1 1/4" clearance required around ceiling rough opening, to fit trim ring.



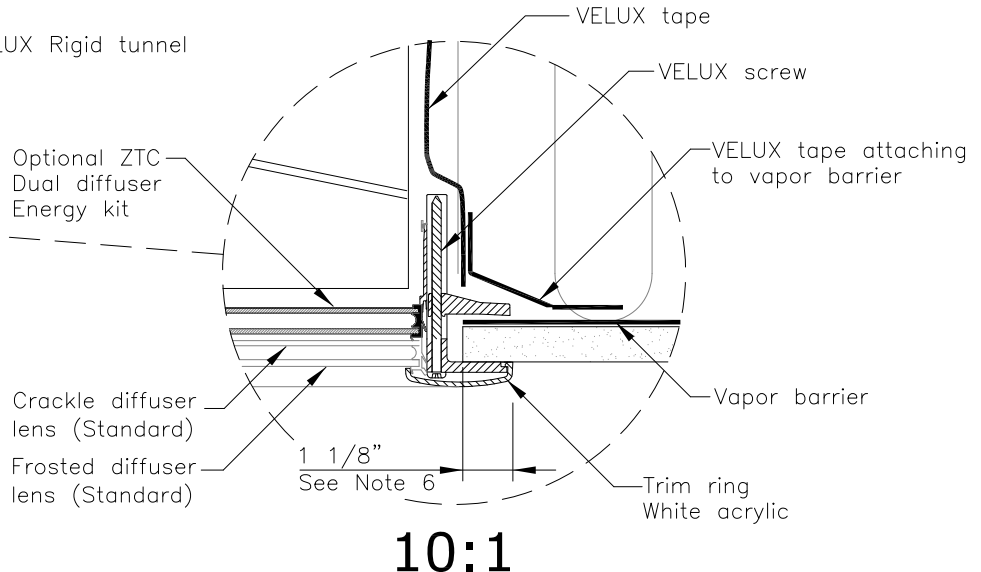
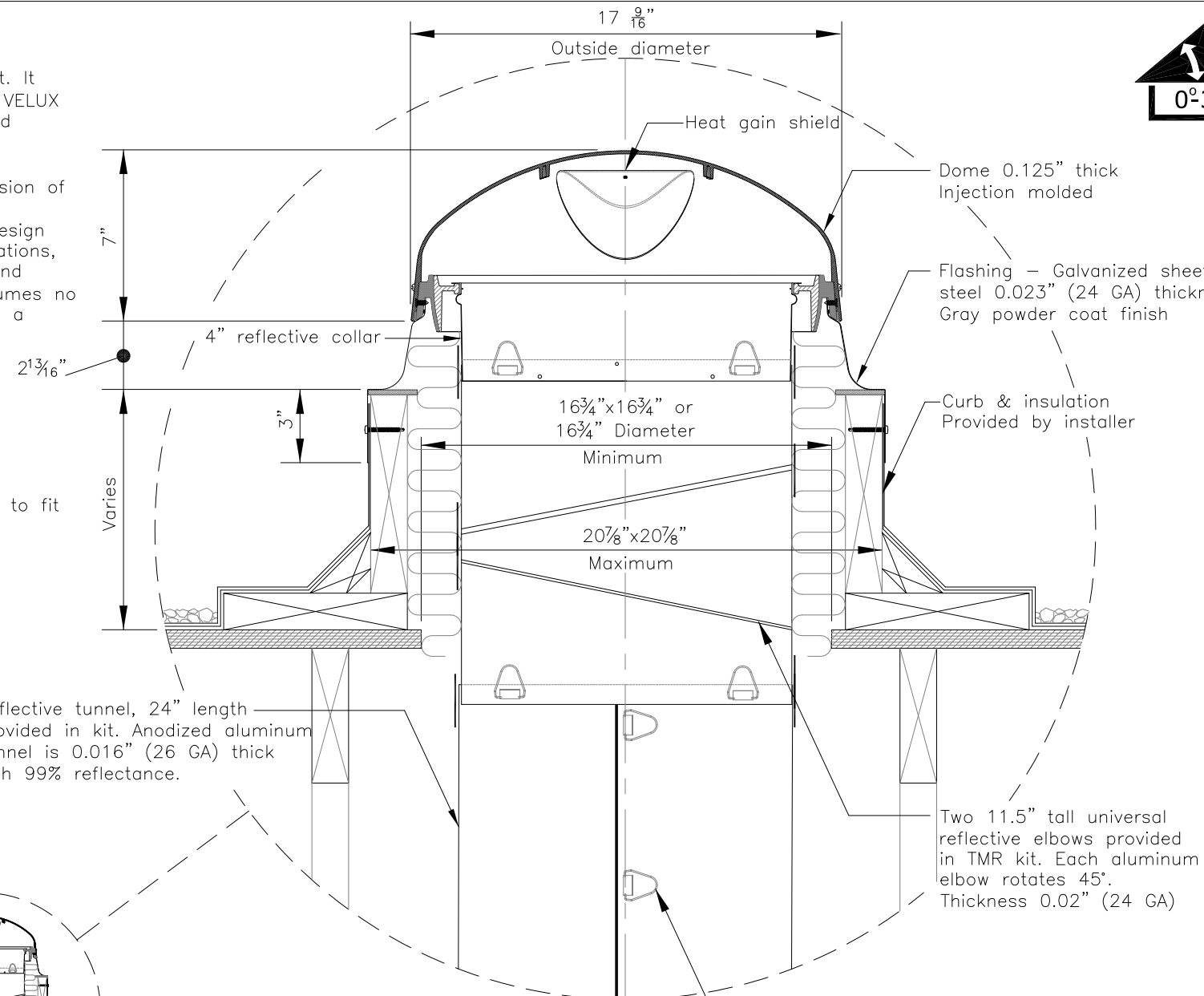
Plan View



Elevation



Cross Section



10:1

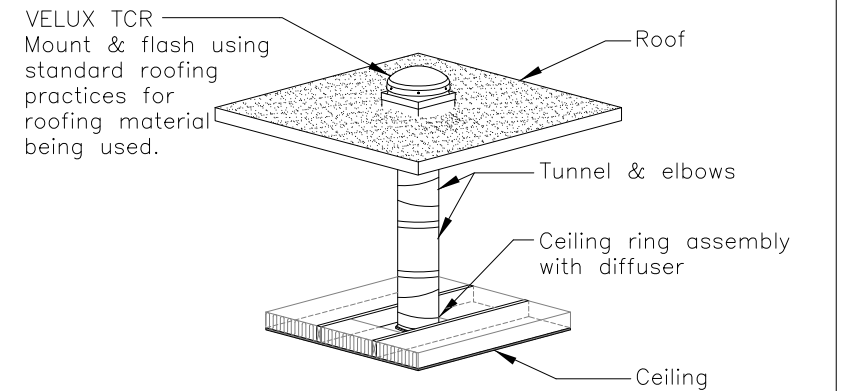


TCR 014 Components

- ### TCR 014 0000
- Acrylic Dome
 - Counter flashing assembly
 - Top collar (4"/.1m)
 - 24"/.61m Rigid tunnel
 - (2) 11.5"/.29m Rigid elbows
 - Tape for tunnel joints
 - Hardware bag
- ### Option: TCR 014 1000
- Impact Polycarbonate dome
- ### Options
- Ceiling ring assembly with crackle over frosted diffuser
 - Gasket material for diffuser
 - Hardware bag
- ### Options
- ZTC 014 0002US—Prismatic diffuser
 - ZTC 014 0003US—Fresnel diffuser

- ### Option: ZTC 014 0041US Energy kit
- Residential energy kit (Heat shield & quad diffuser)

- ### Option: ZTR 014 Rigid Tunnel Extensions
- ZTR 014 0002 24"/.61m Rigid tunnel
 - ZTR 014 0004 48"/1.22m Rigid tunnel
 - ZTR 014 0006 72"/1.83m Rigid tunnel
 - ZTR 014 0012 144"/3.66m Rigid tunnel
 - ZTR 014 0024 288"/7.32m Rigid tunnel



General Arrangement Layout

VELUX
1418 Evans Pond Road
Greenwood, SC 29649
1-800-88-VELUX
www.VELUXUSA.com

TCR 014 - Residential SUN TUNNEL Skylight

This drawing is an instrument of service and is provided for informational use only.