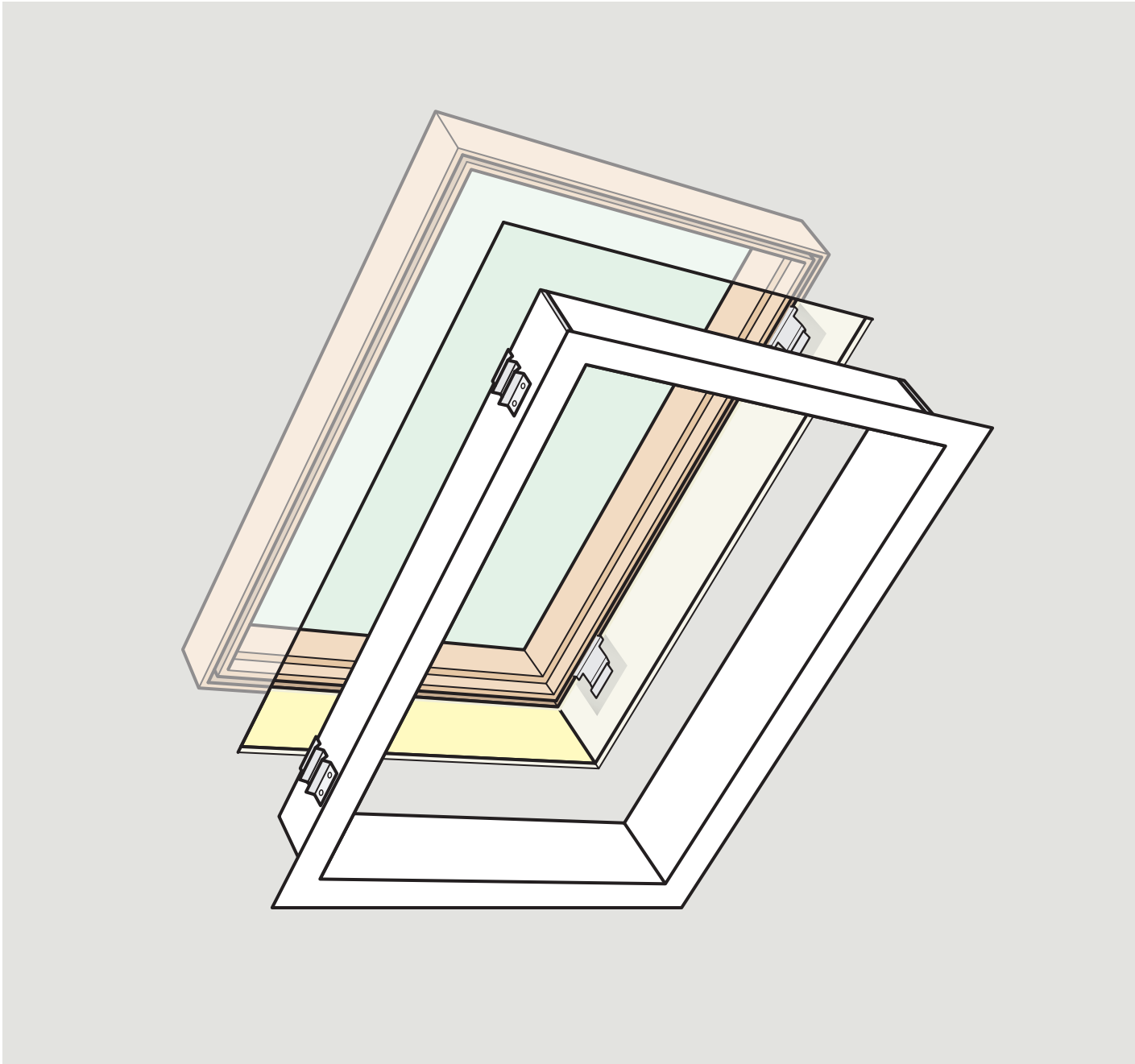
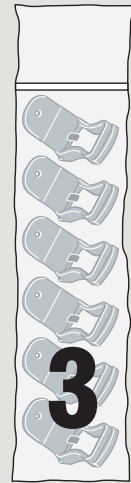
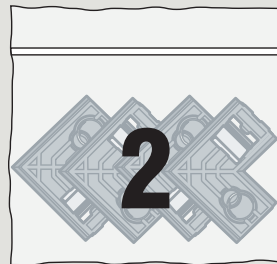
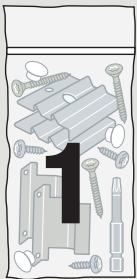
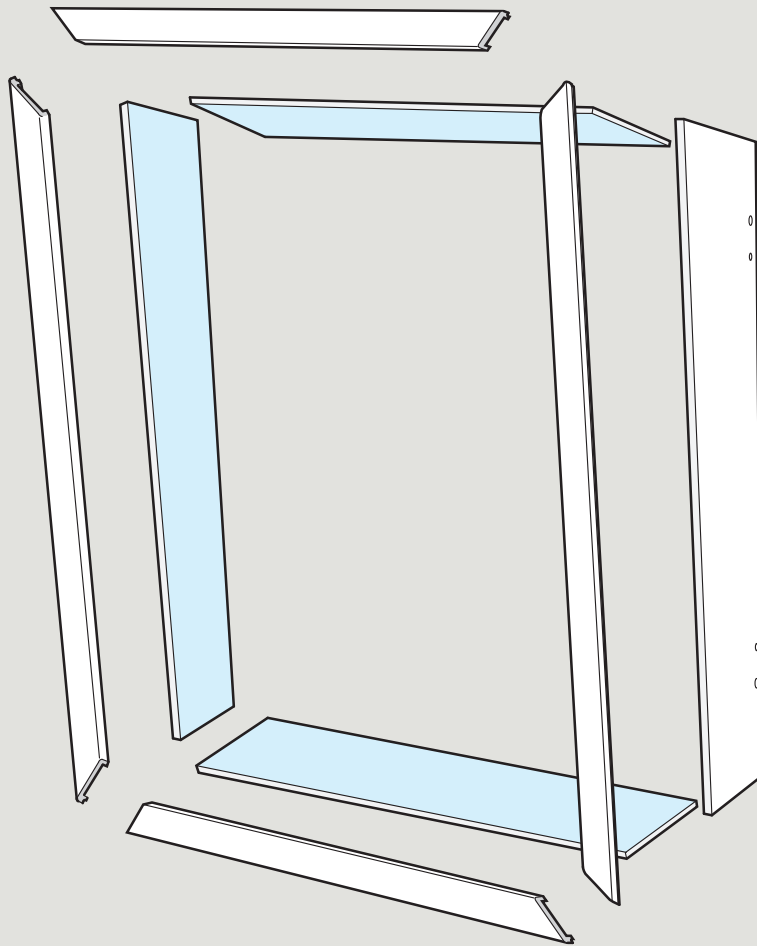
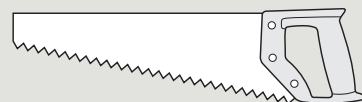
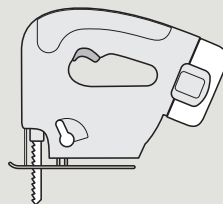
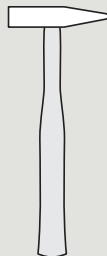


ZZZ 234

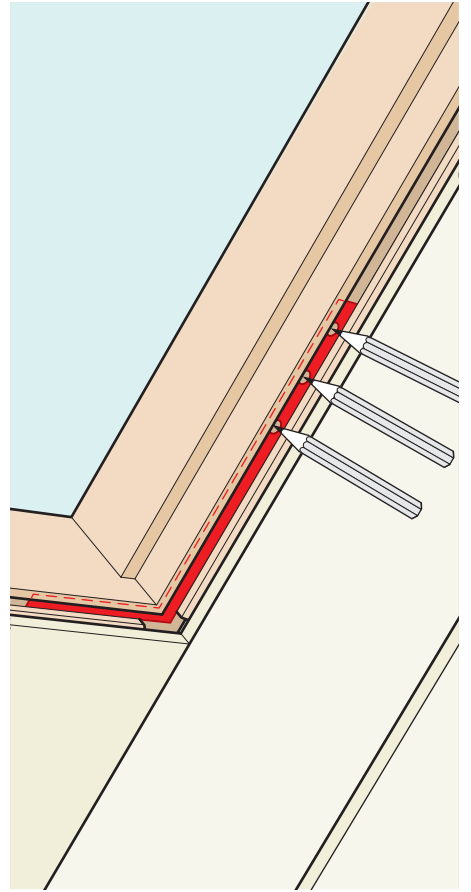
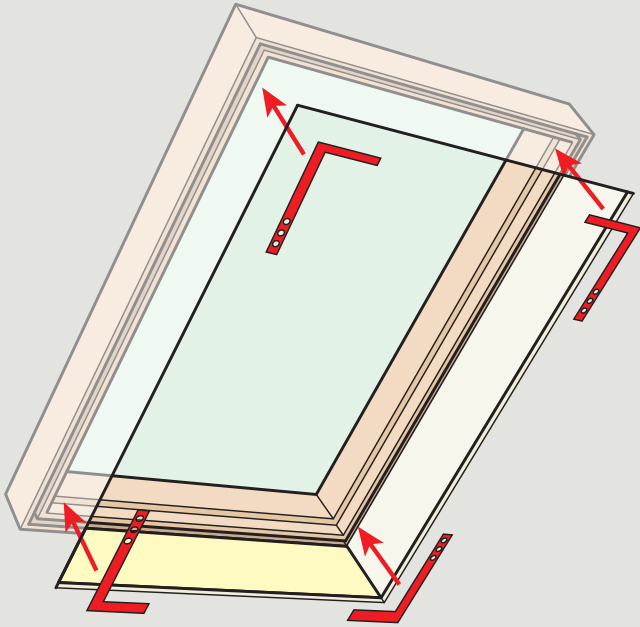
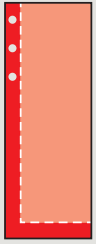




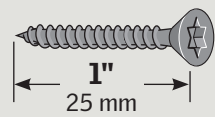
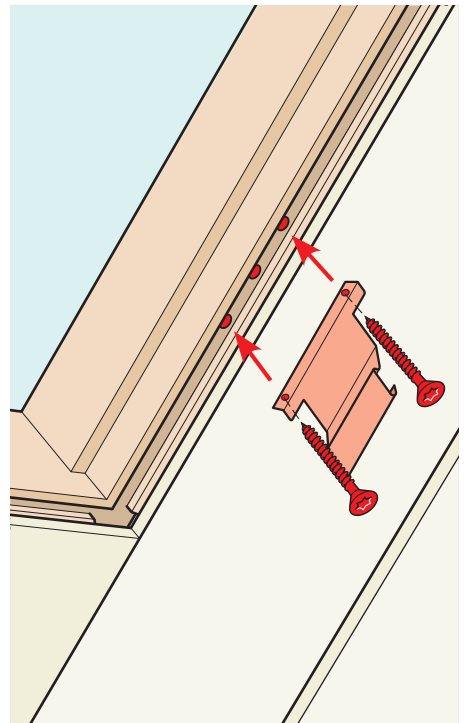
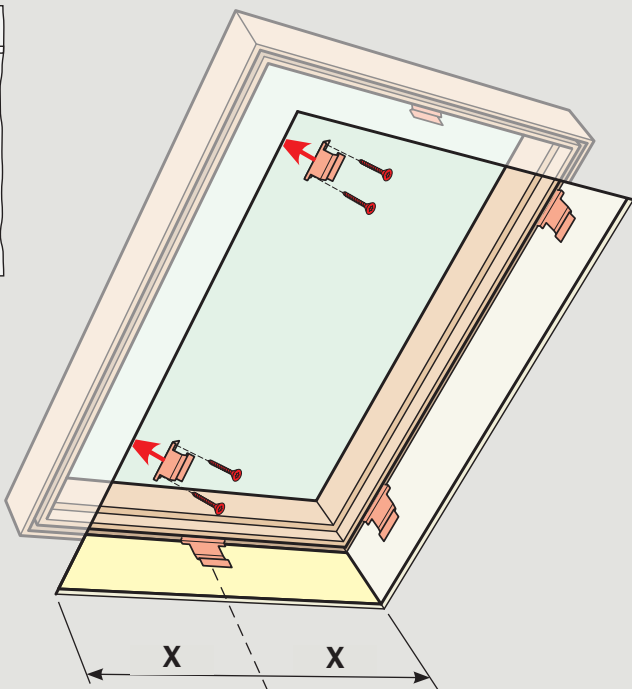
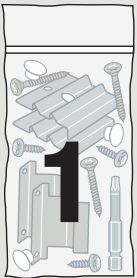
T-15



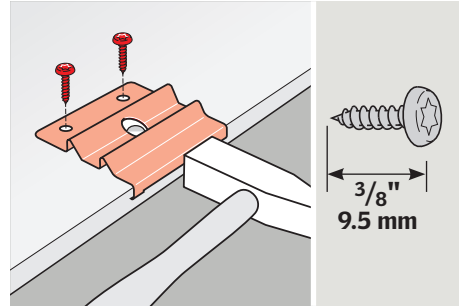
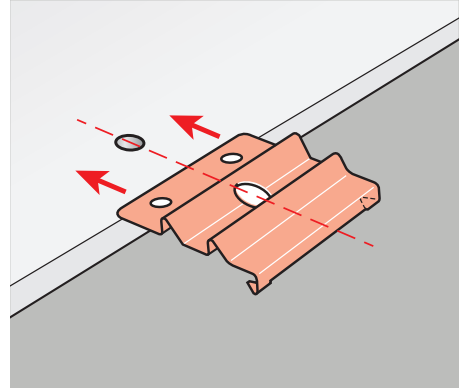
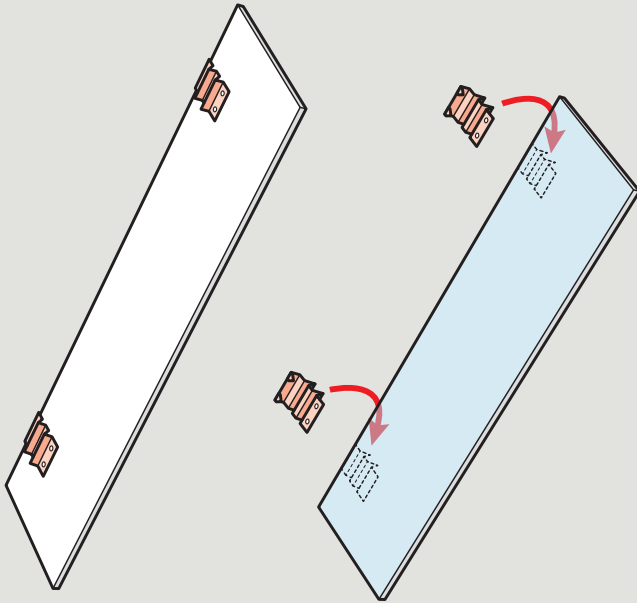
1



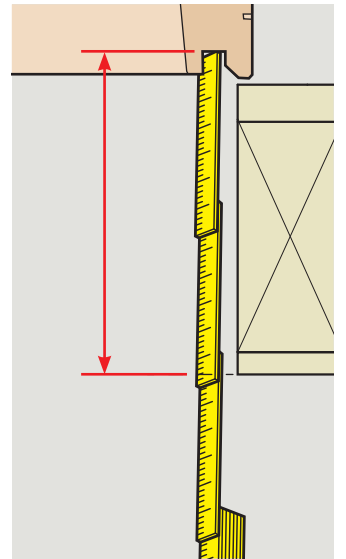
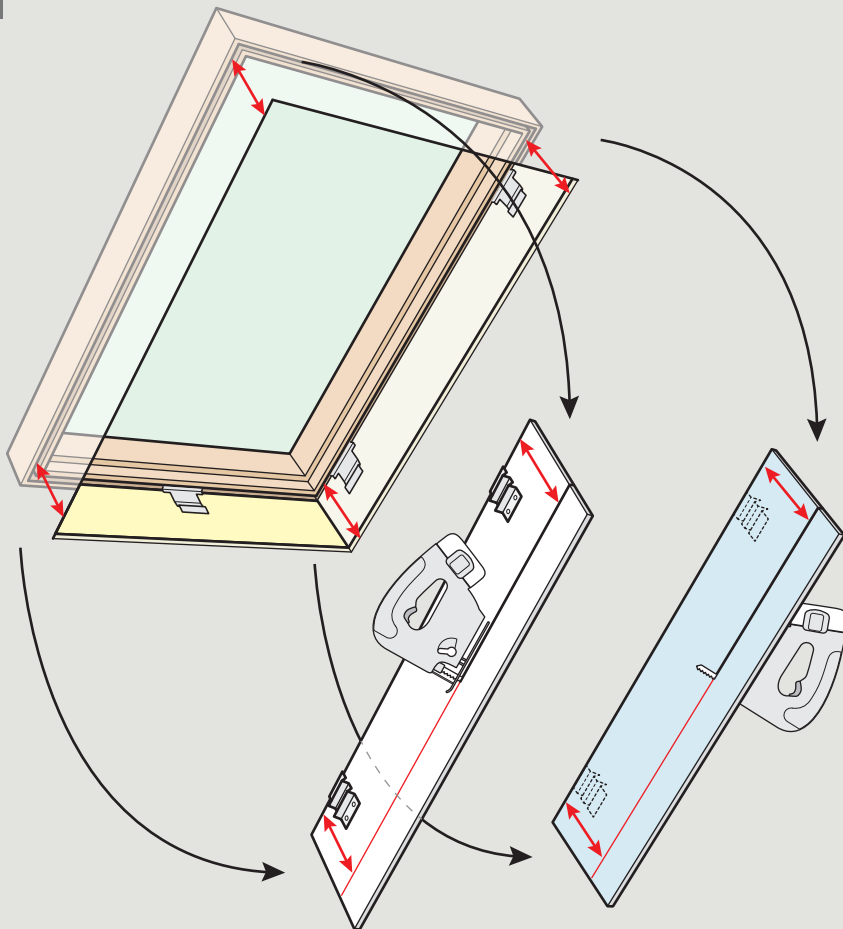
2



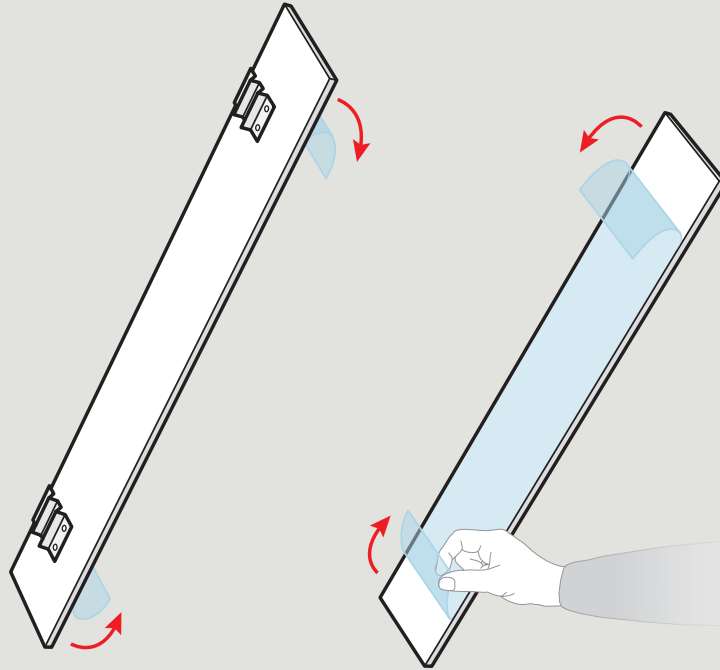
3



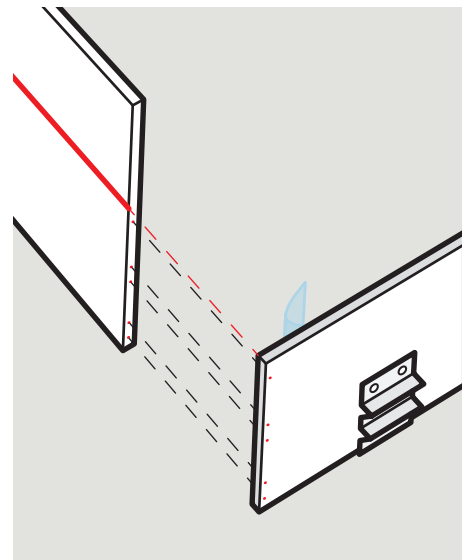
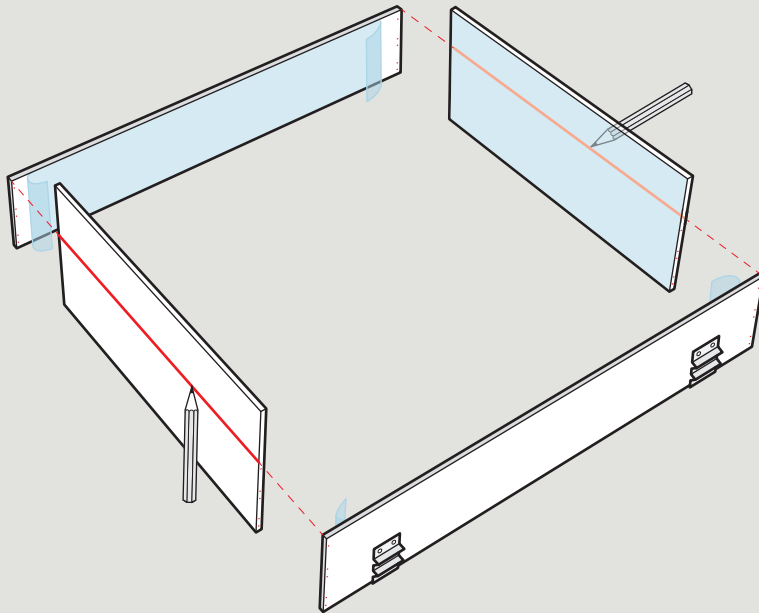
4



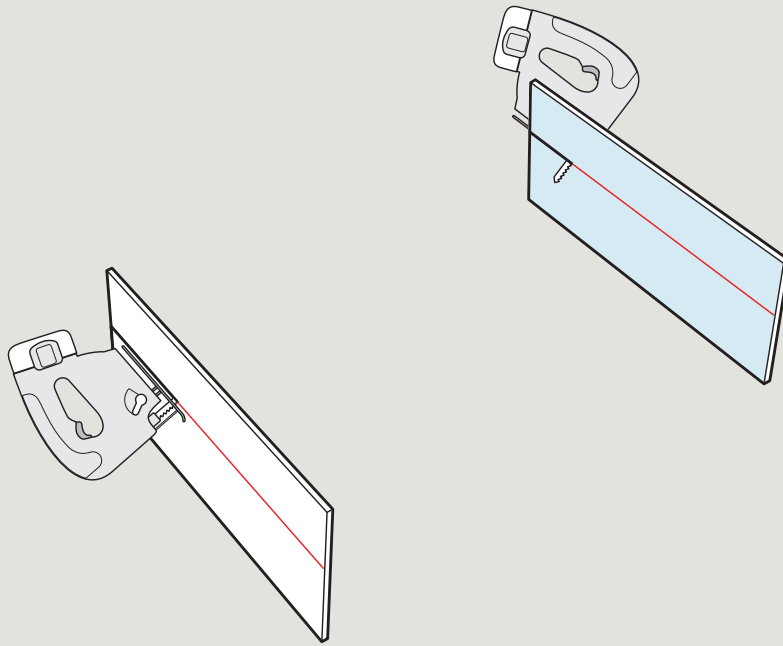
5



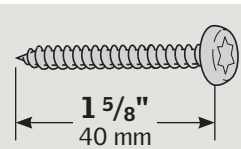
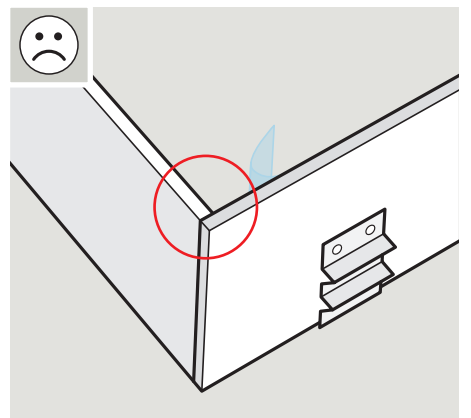
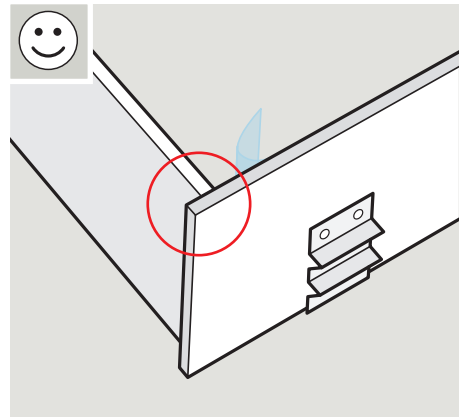
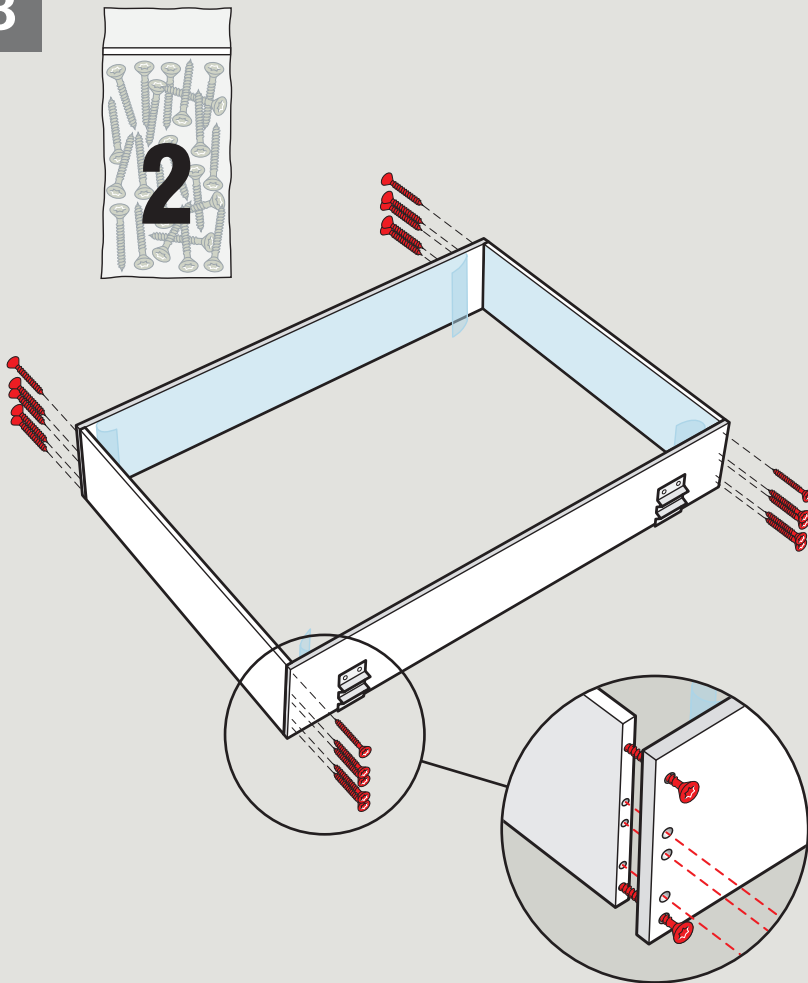
6



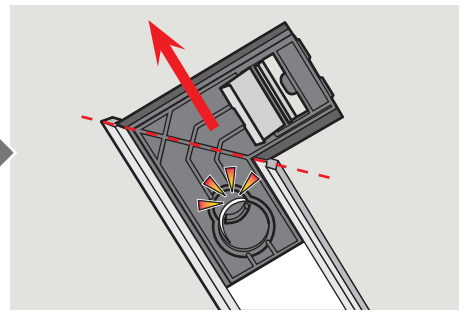
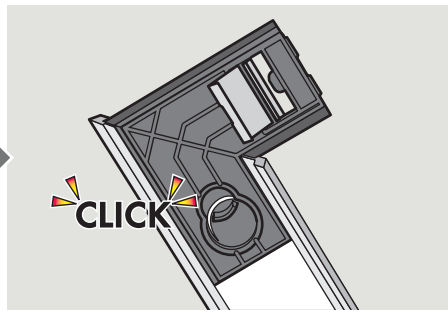
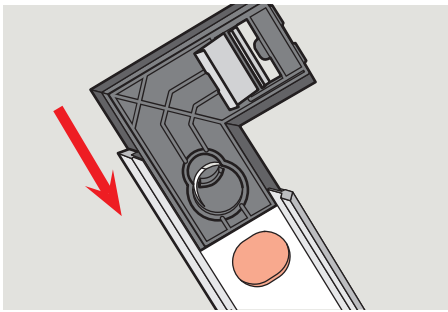
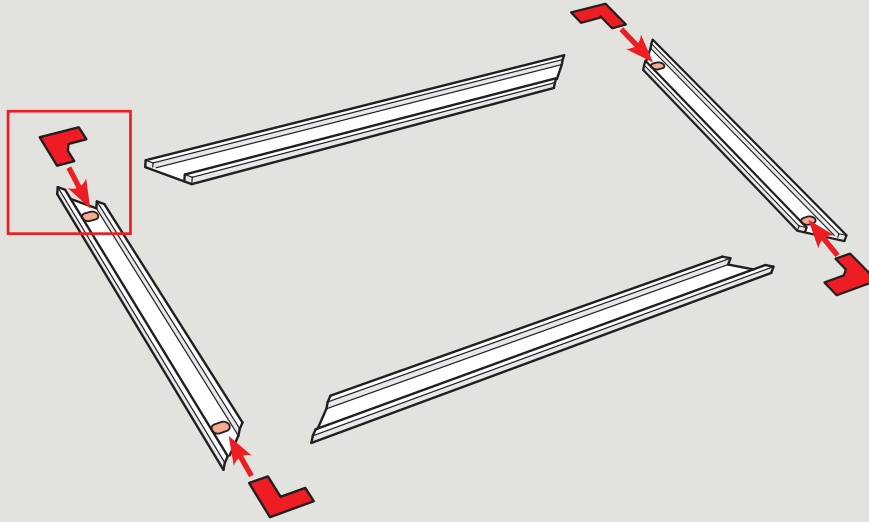
7



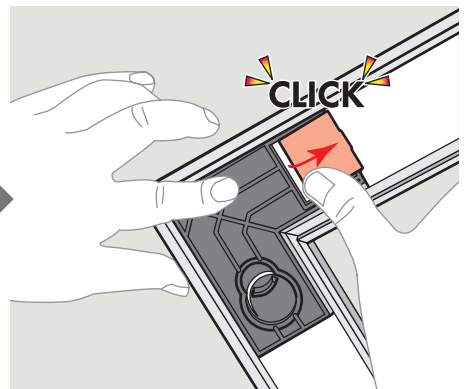
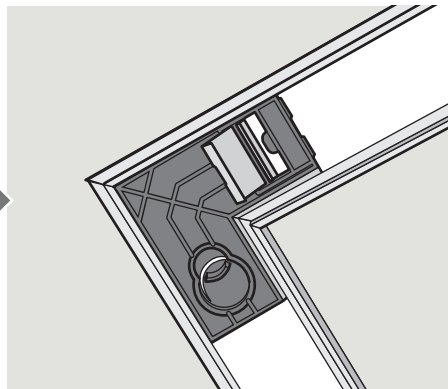
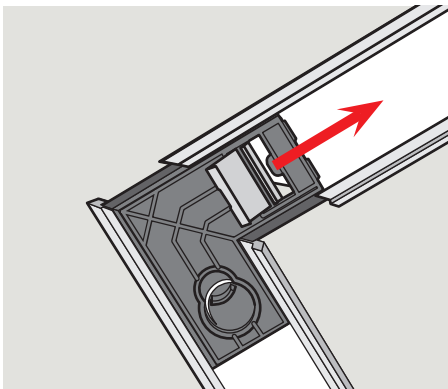
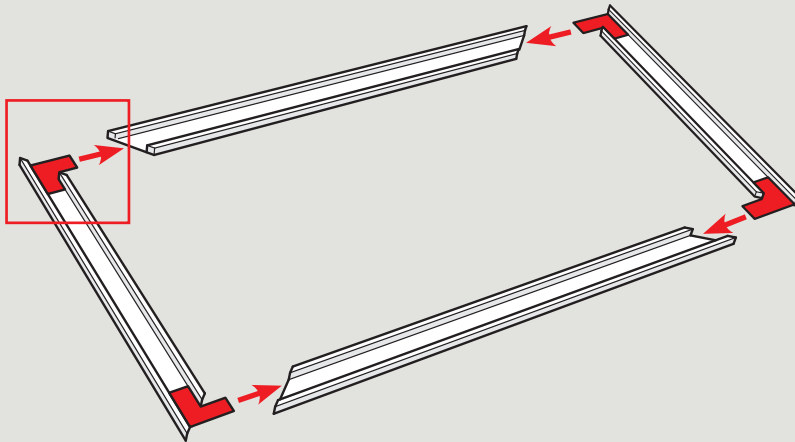
8



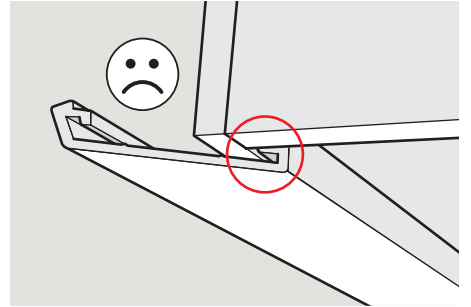
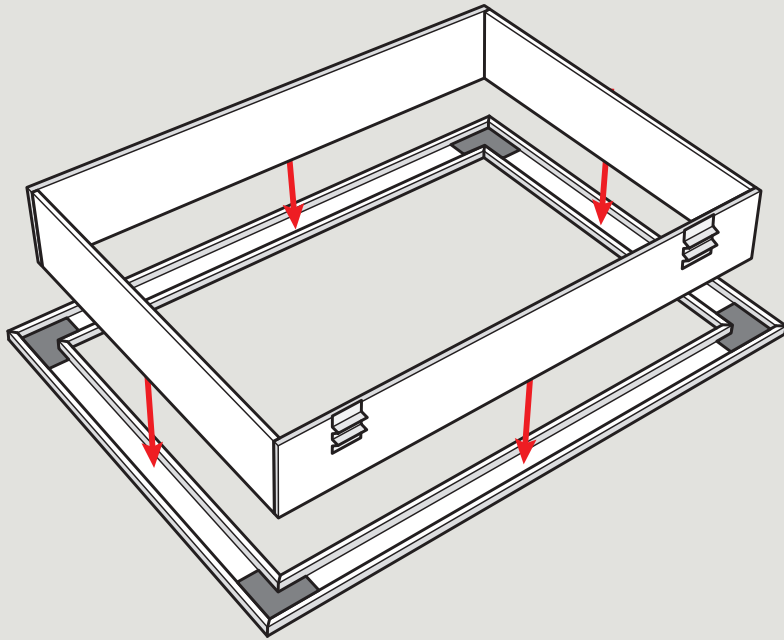
9



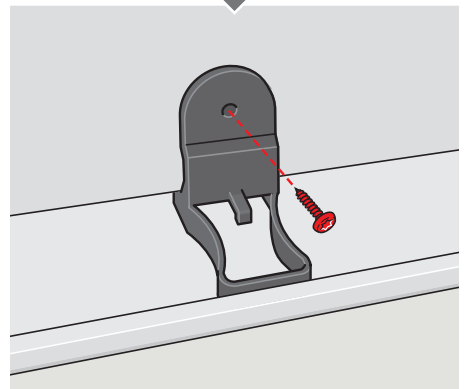
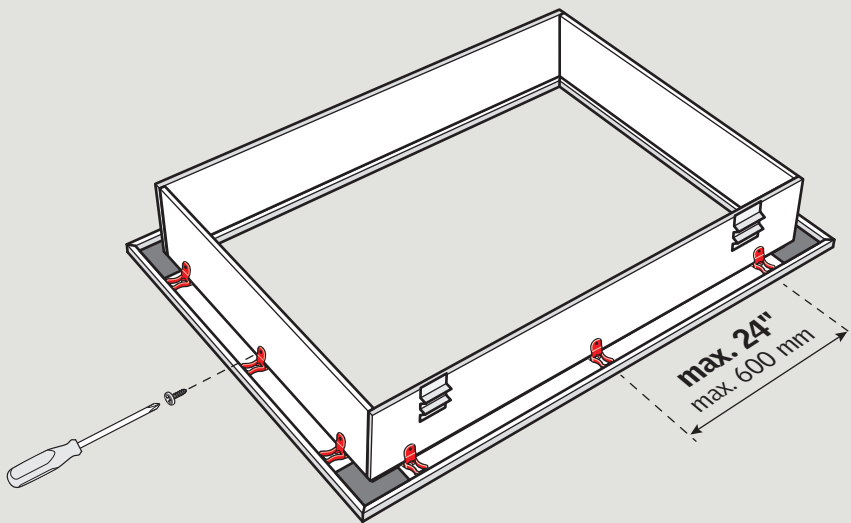
10



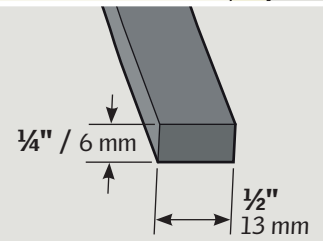
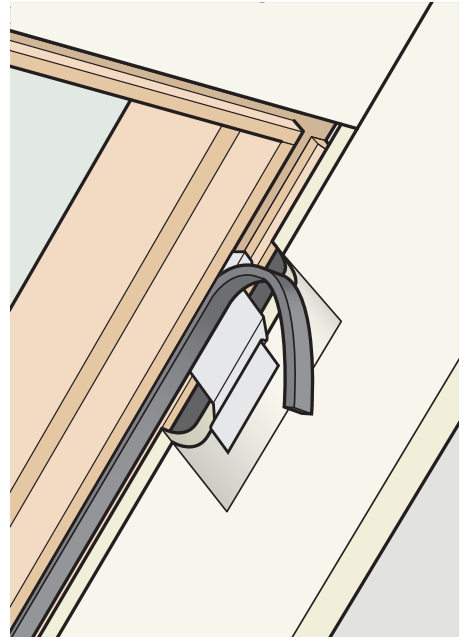
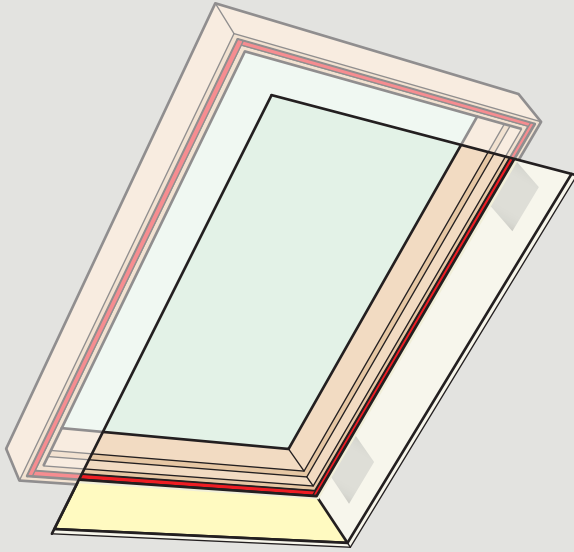
11



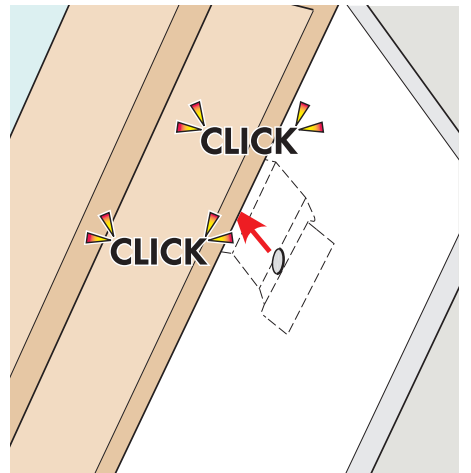
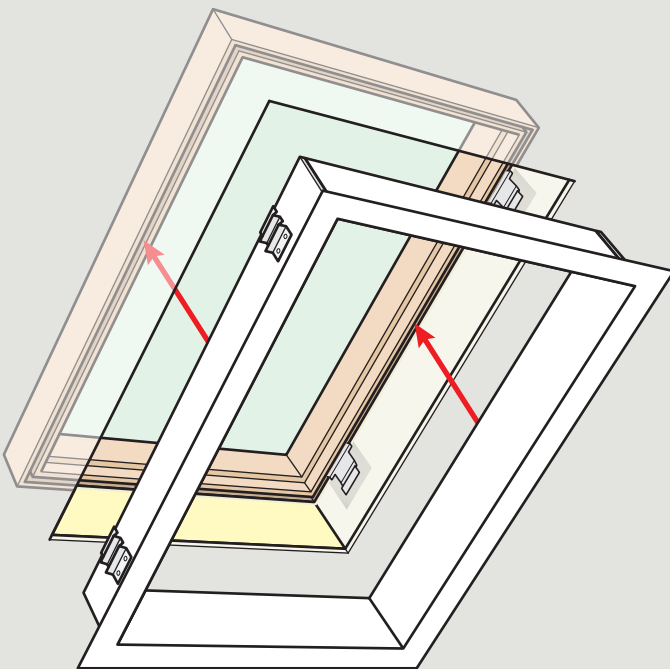
12



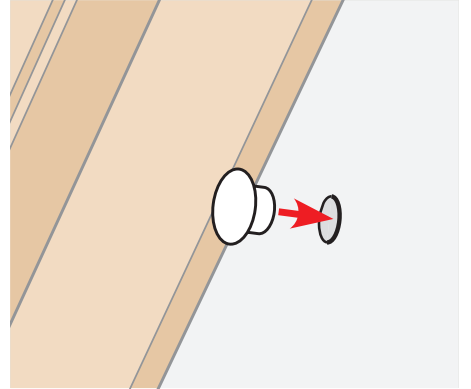
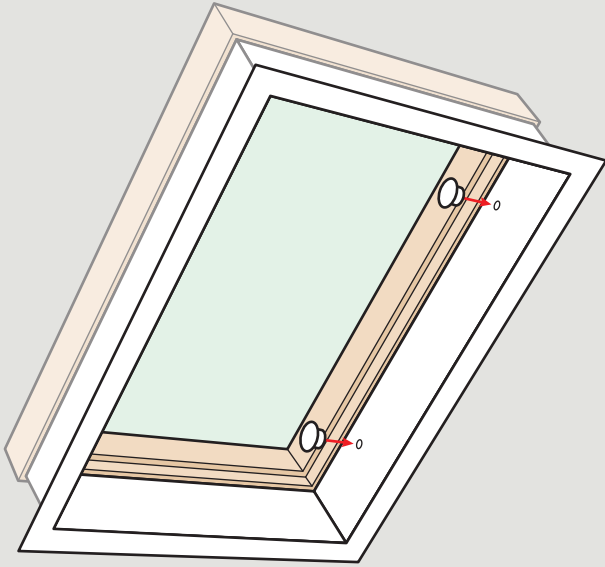
13



14



15





US: VELUX America Inc.
1-800-88-VELUX

CN: VELUX Canada Inc.
1 800 88-VELUX (888-3589)

www.velux.com