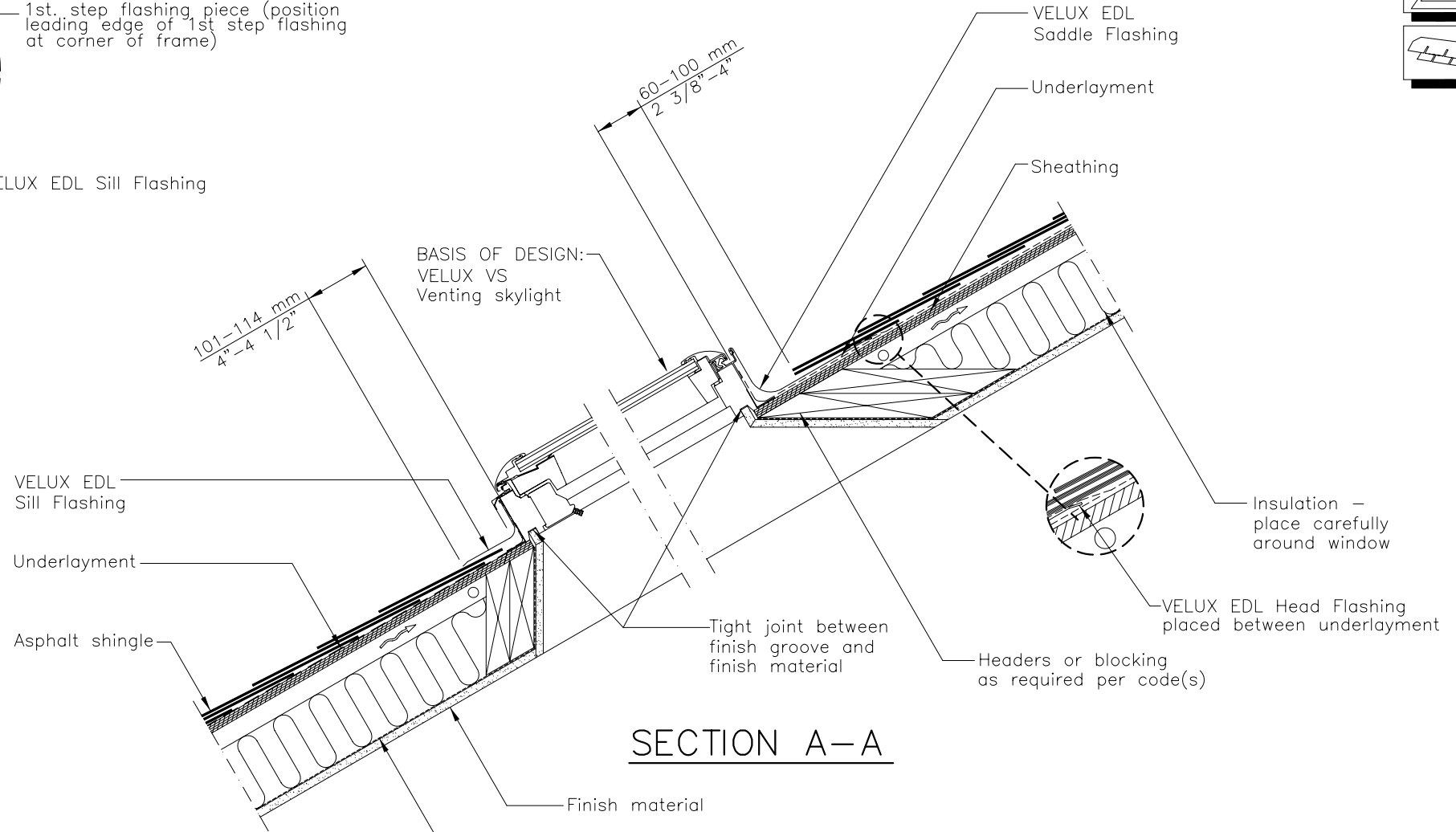
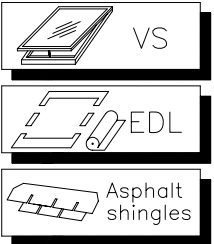
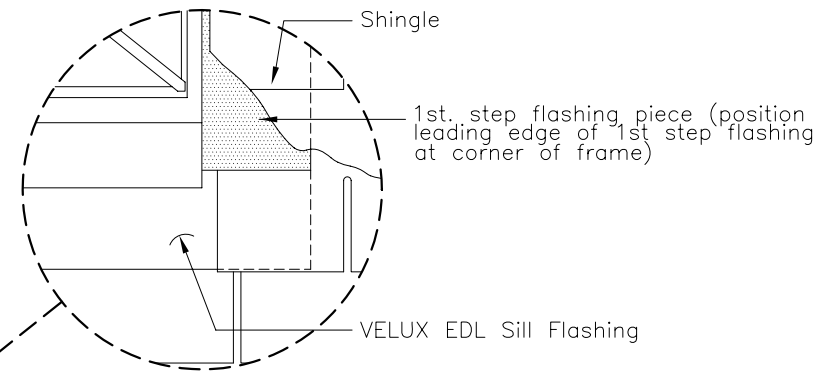
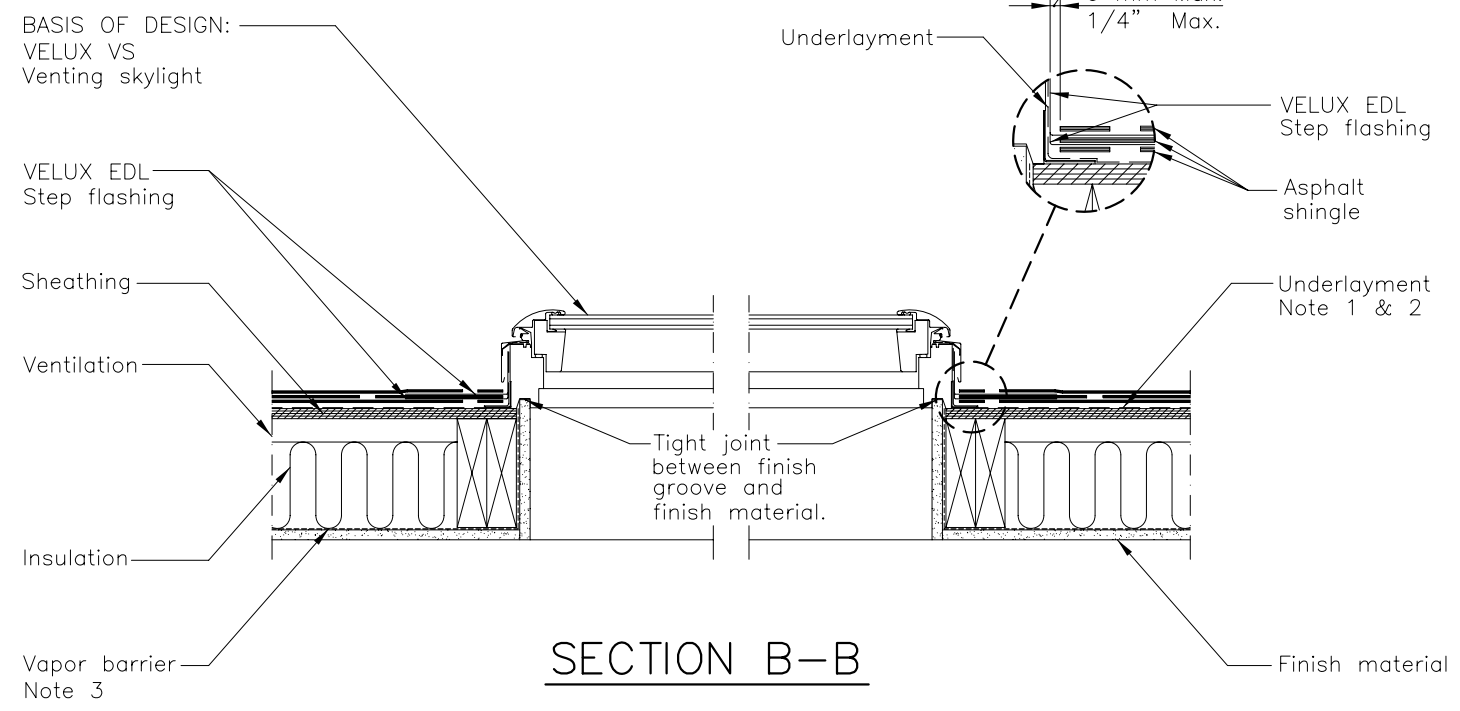


**ELEVATION**




**SECTION A-A**



**SECTION B-B**

**GENERAL NOTES**

1. Wrap frame in ZOZ 216 adhesive underlayment provided with VELUX flashing.
2. Underlayment to be folded up against all sides of curb.
3. Vapor barrier should be used to avoid moisture.

 Sky-Product Management	VELUX 1418 Evans Pond Road Greenwood, SC 29649 1-800-88-VELUX www.VELUXUSA.com	Name JDH WQ, JL	Date Apr 10 Apr 10
	VS-Residential/Commercial Roof Section (Cathedral Ceiling with Asphalt Shingles)		Drawing No.  VS-02-1208

This drawing is an instrument of service and is provided for informational use only.