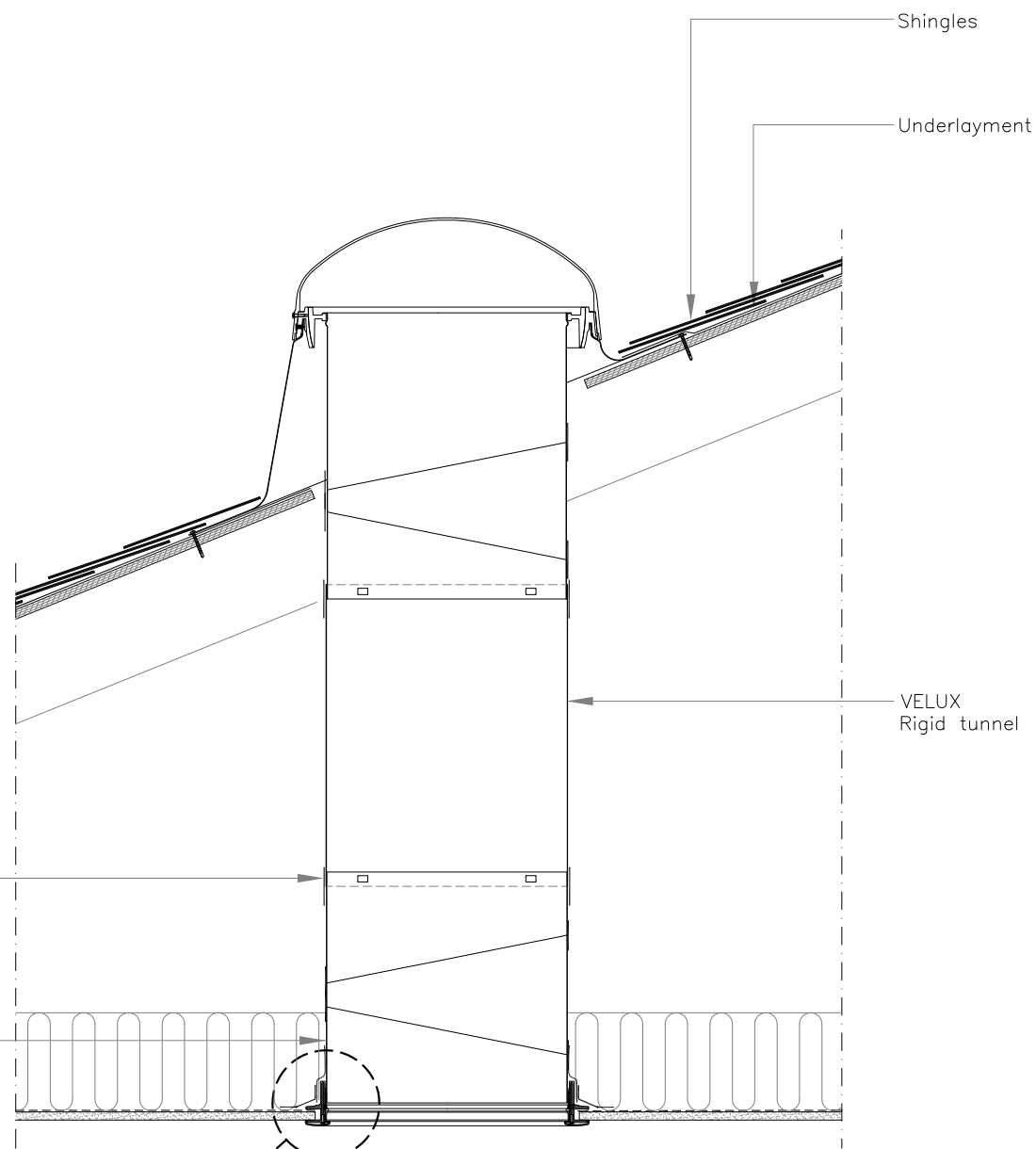
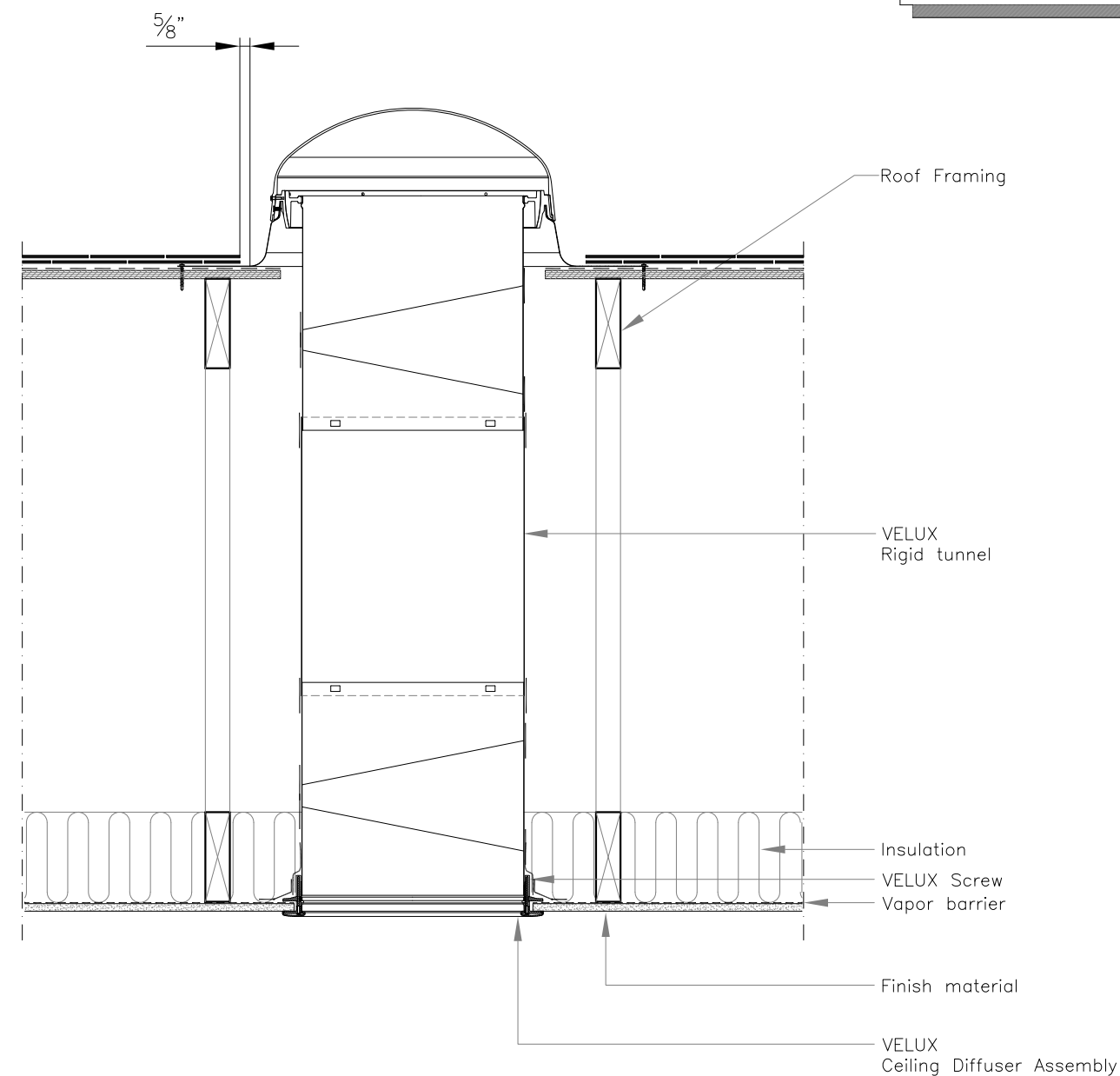
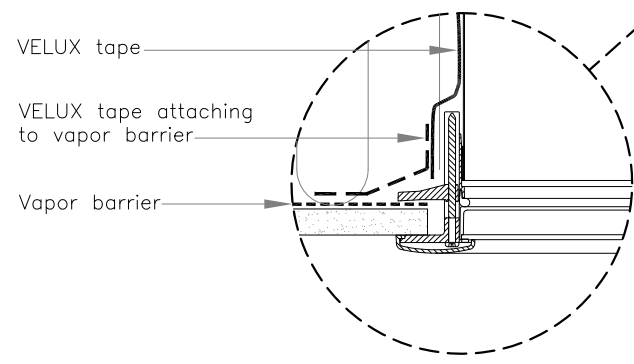


ELEVATION



SECTION A-A



SECTION B-B

THR

Asphalt shingles

14° - 60°
3:12 - 20:12

<p>VELUX 1418 Evans Pond Road Greenwood, SC 29649 1-800-88-VELUX www.VELUXUSA.com</p> <p>Sky-Product Management</p>	<p>VELUX 1418 Evans Pond Road Greenwood, SC 29649 1-800-88-VELUX www.VELUXUSA.com</p>		Name	Date
	<p>THR 014 - VELUX SUN TUNNEL for Asphalt Shingle Roof</p>	<p>Drawn by JDH Feb 2016</p> <p>Checked by CJ, JL Feb 2016</p> <p>Drawing No.</p>	<p>THR-01-0216</p>	

This drawing is an instrument of service and is provided for informational use only.