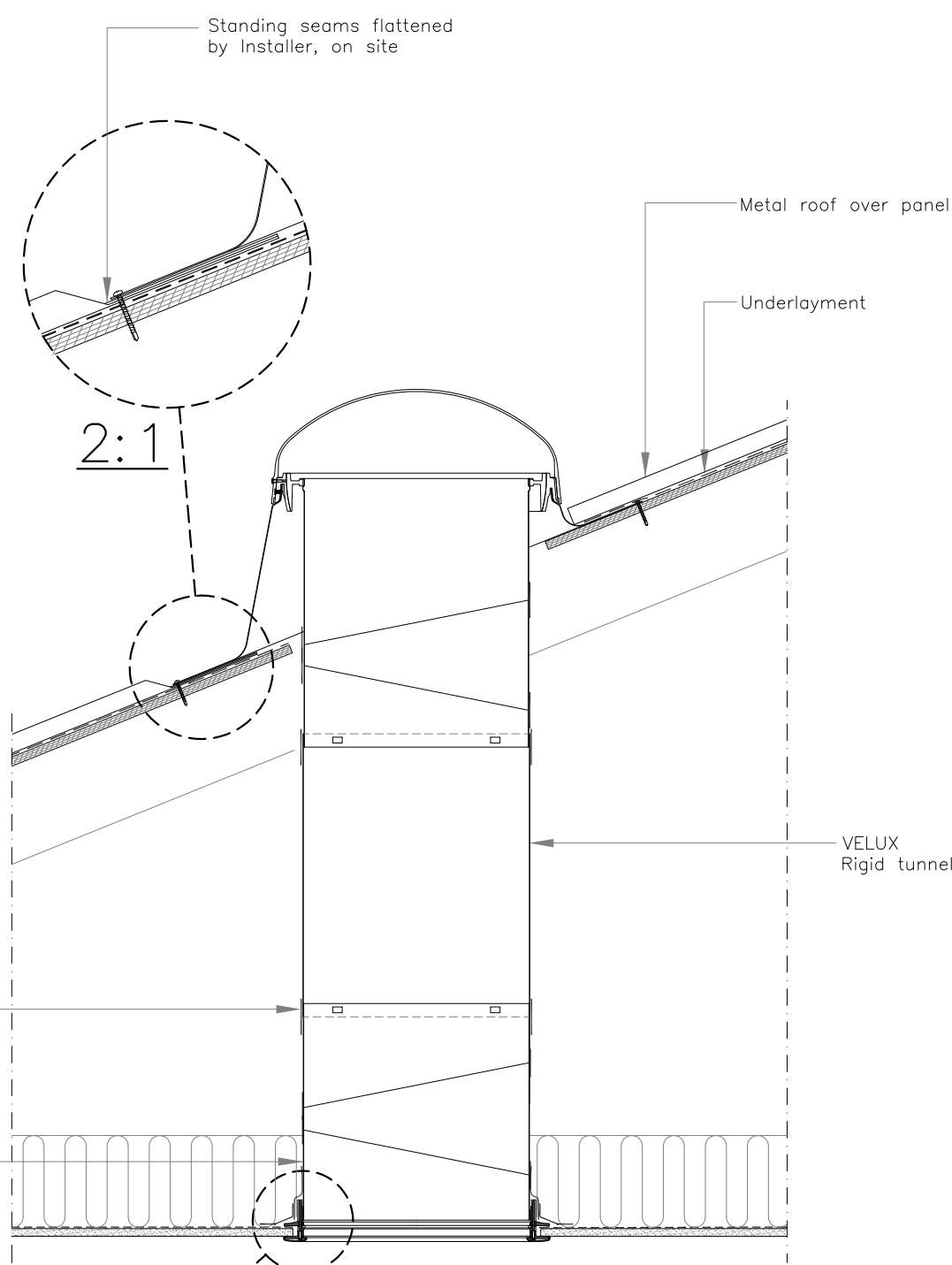
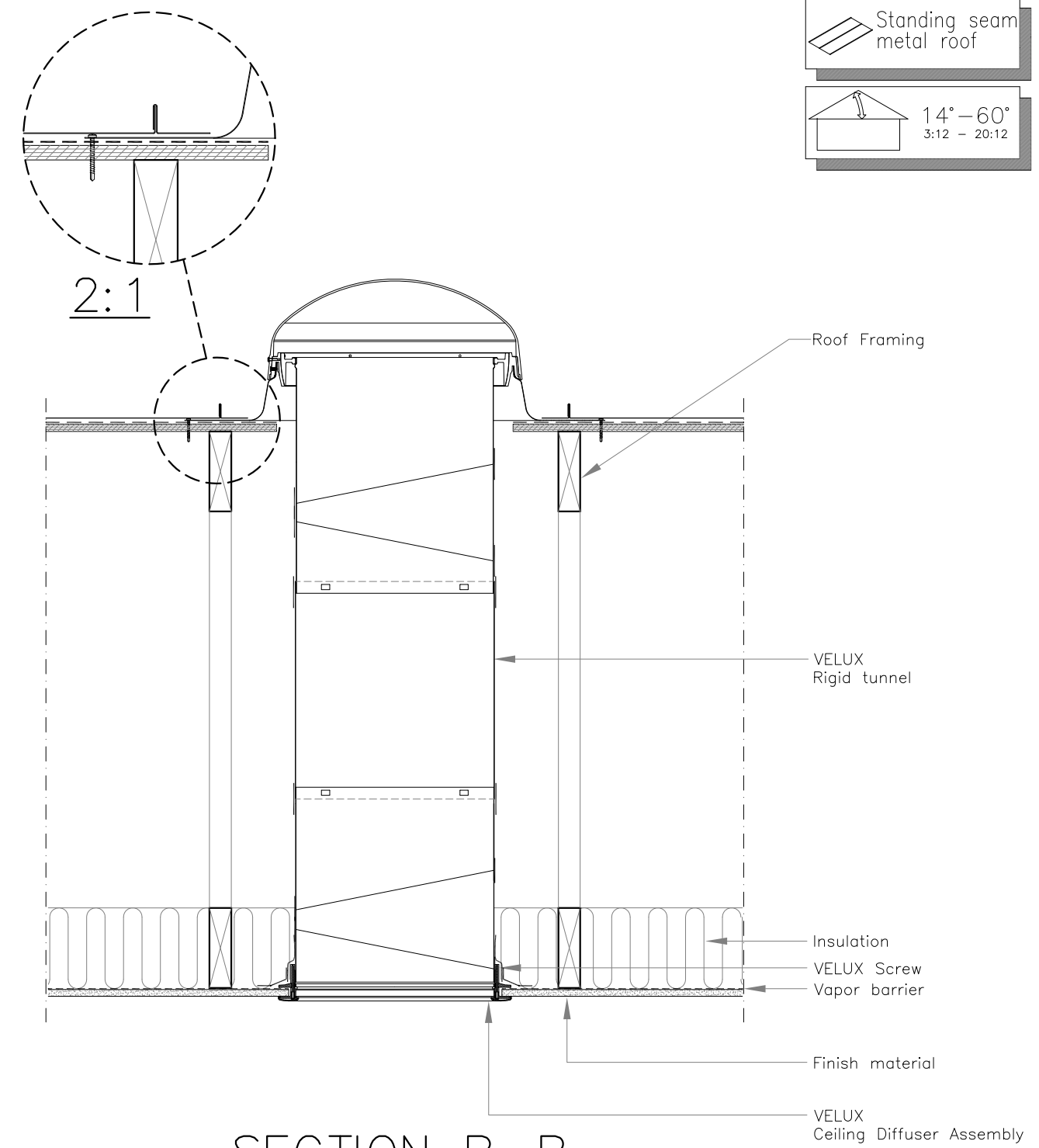


ELEVATION



SECTION A-A



SECTION B-B

THR

Standing seam metal roof

14° - 60°
3:12 - 20:12

VELUX tape
All joints
must be sealed
with tape, provided
by VELUX

VELUX tape

VELUX tape
VELUX tape attaching
to vapor barrier

Vapor barrier

3:1



VELUX
1418 Evans Pond Road
Greenwood, SC 29649
1-800-88-VELUX
www.VELUXUSA.com

Sky-Product Management

THR 014 - VELUX SUN TUNNEL
Installation for Field Fabricated
Standing Seam Metal Roof

	Name	Date
Drawn by	JDH	Feb 2016
Checked by	CJ, JL	Feb 2016
Drawing No.		

THR-02-0316

This drawing is an instrument of service and is provided for informational use only.