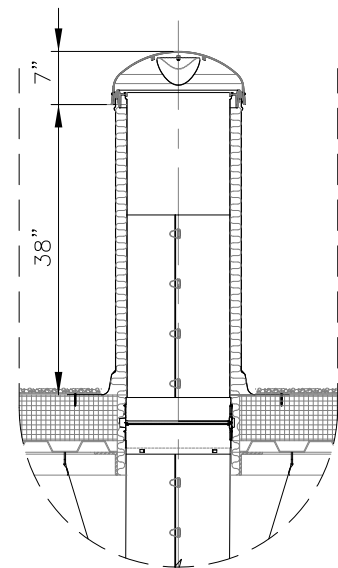
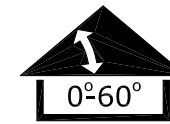
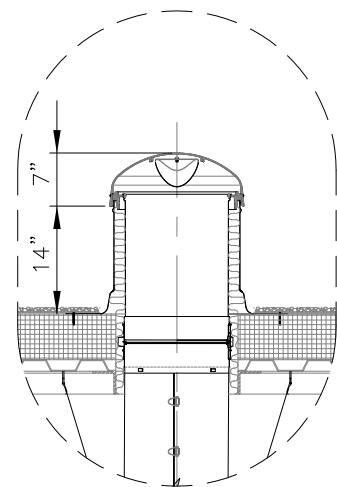


General Notes

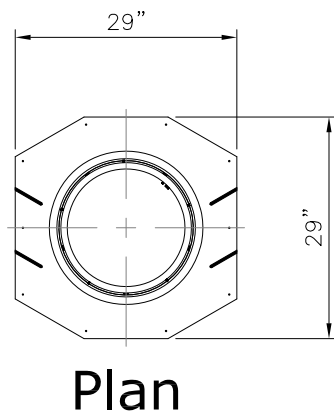
1. This drawing emphasizes the TGC low profile pan flashed VELUX SUN TUNNEL Skylight. It illustrates a general arrangement layout (plus recommendations) for a VELUX TGC installation in a 0–60 degree roof pitch application utilizing an open ceiling installation.
2. The architectural/structural design and specifications for the inclusion of a tubular daylighting device, such as the VELUX TGC, in any roofing/ceiling application is determined and provided by others. The design criteria includes, but is not limited to design loads, structural configurations, structural framing member sizes and material, architectural finishes and integration with the roofing/ceiling systems of the building. VELUX assumes no responsibility or liability in the design, construction and performance of a building structure by others.
3. Secure eye screws/bolts to the roofing structure and attach suspension wire to connect to clips at end of tunnel section.
4. Secure suspension wires to the ceiling adaptor assembly & eyebolts.
5. Dimensions shown are nominal, unless indicated otherwise.
6. Product specific dimensions are referenced in the TGC Product Data Sheet documentation.
7. Rough opening dimensions vary with roof slope. Roof opening dimensions are referenced in the TGC/TMC + TTK Installation Instructions.
8. VELUX recommends fastening TGC flashing to roof decking or roof framing.



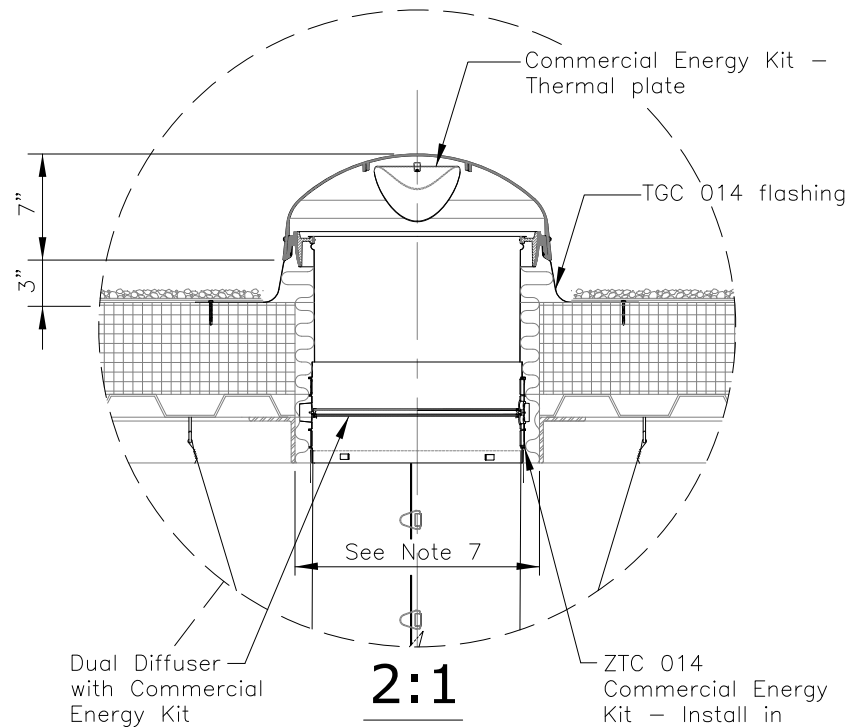
Option: ZTA 014 0036



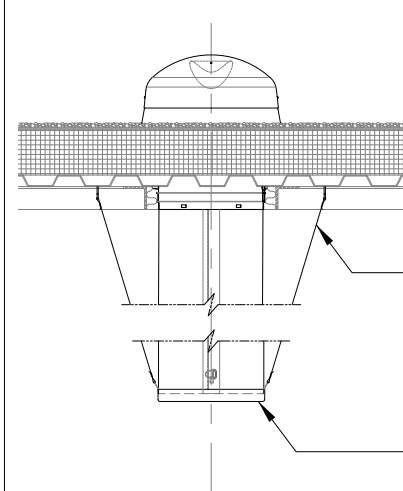
Option: ZTA 014 0012



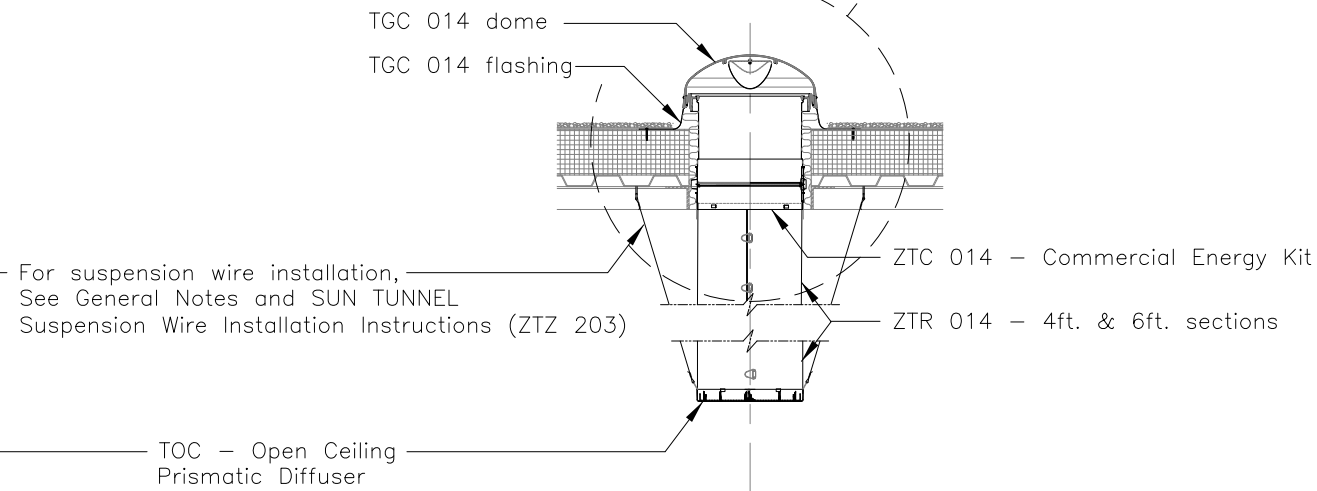
Plan



2:1

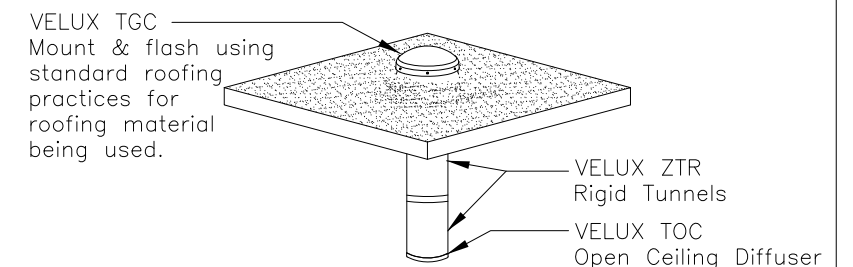


Elevation



Cross Section

TGC 014 Components	Quantity
TGC 014 0000 <ul style="list-style-type: none"> Acrylic Dome Counter flashing assembly Top collar (16"/.41m) Hardware bag <ul style="list-style-type: none"> Option <ul style="list-style-type: none"> TGC 014 1000 - Impact Polycarbonate dome 	
TOC 014 002 Open Ceiling Diffuser <ul style="list-style-type: none"> TOC 014 0002 - Prismatic Diffuser <ul style="list-style-type: none"> Options <ul style="list-style-type: none"> TOC 014 0000 - Frosted diffuser TOC 014 0003 - Fresnel diffuser 	
ZTZ 203 <ul style="list-style-type: none"> Suspension Wire Kit 	
Option: ZTR 014 <ul style="list-style-type: none"> ZTR 014 0002 24"/.61m Rigid tunnel ZTR 014 0004 48"/1.22m Rigid tunnel ZTR 014 0006 72"/1.83m Rigid tunnel ZTR 014 0012 144"/3.66m Rigid tunnel ZTR 014 0024 288"/7.32m Rigid tunnel 	
Option: ZTA 014 0012 <ul style="list-style-type: none"> Current extender 12 inch 	
Option: ZTA 014 0036 <ul style="list-style-type: none"> Current extender 36 inch 	
Option: ZTC 014 0401US <ul style="list-style-type: none"> Commercial Energy Kit <ul style="list-style-type: none"> Insulating pane - thermal break Thermal plate 	



General Arrangement Layout

	VELUX 1418 Evans Pond Road Greenwood, SC 29649 1-800-88-VELUX www.VELUXUSA.com	Name Date
	Sky-Product Management	Drawn by Checked by Drawing No.
Commercial SUN TUNNEL Skylight TGC 014 w/ ZTR, TOC, ZTA, ZTC, ZTZ (TGC 014 0002TO/TGC 014 1002TO)		JDH July 2015 JL,CJ July 2015 TGC 014-01-0715

This drawing is an instrument of service and is provided for informational use only.