

General Notes

1. This drawing emphasizes the TGC low profile pan flashed VELUX SUN TUNNEL Skylight. It illustrates a general arrangement layout (plus recommendations) for a VELUX TGC installation in a 0–60 degree roof pitch application utilizing either a suspended acoustical tile or grid ceiling installation.

2. The architectural/structural design and specifications for the inclusion of a tubular daylighting device, such as the VELUX TGC, in any roofing/ceiling application is determined and provided by others. The design criteria includes, but is not limited to design loads, structural configurations, structural framing member sizes and material, architectural finishes and integration with the roofing/ceiling systems of the building. VELUX assumes no responsibility or liability in the design, construction and performance of a building structure by others.

3. Secure eye screws/bolts to the roofing structure and attach suspension wire to connect to clips at end of tunnel section.

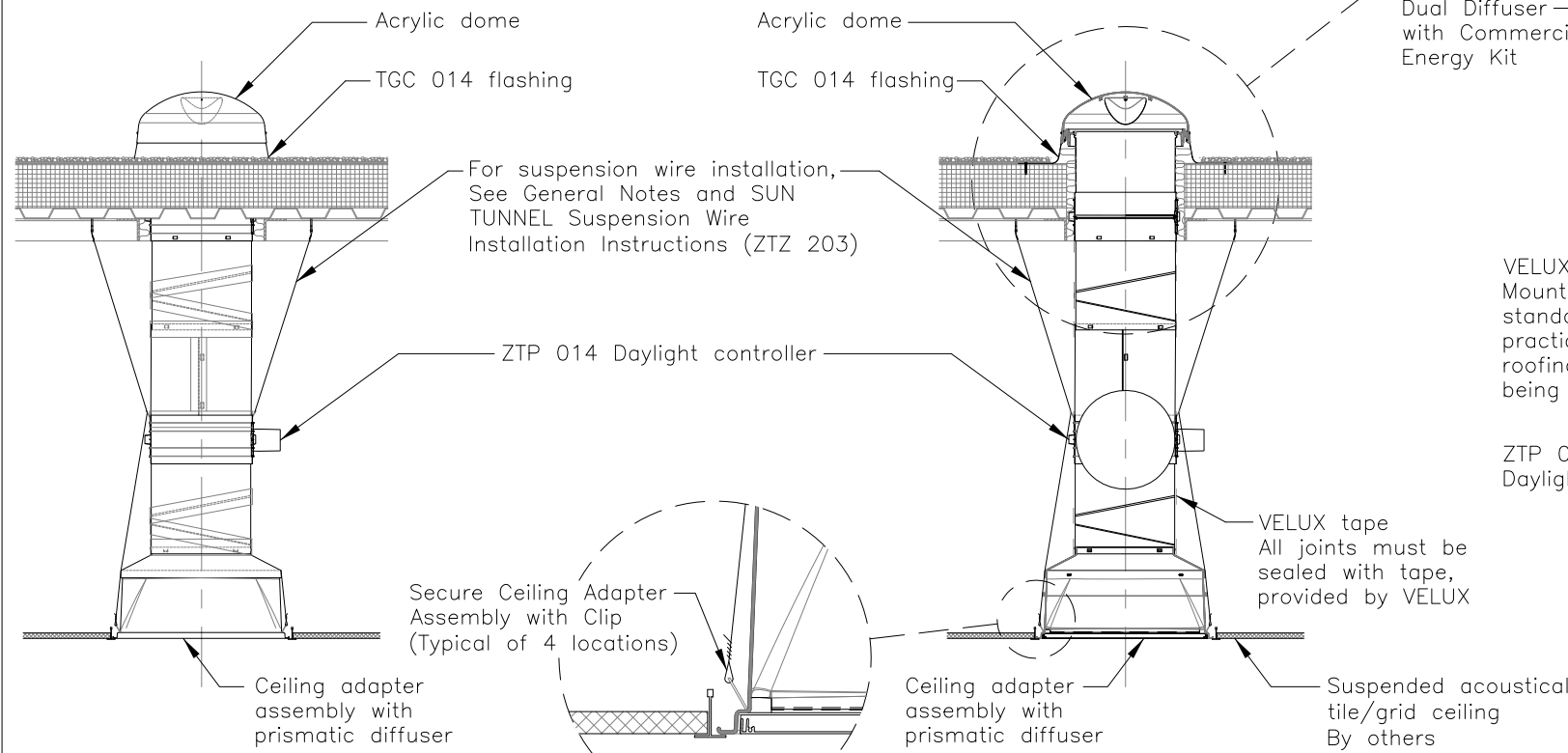
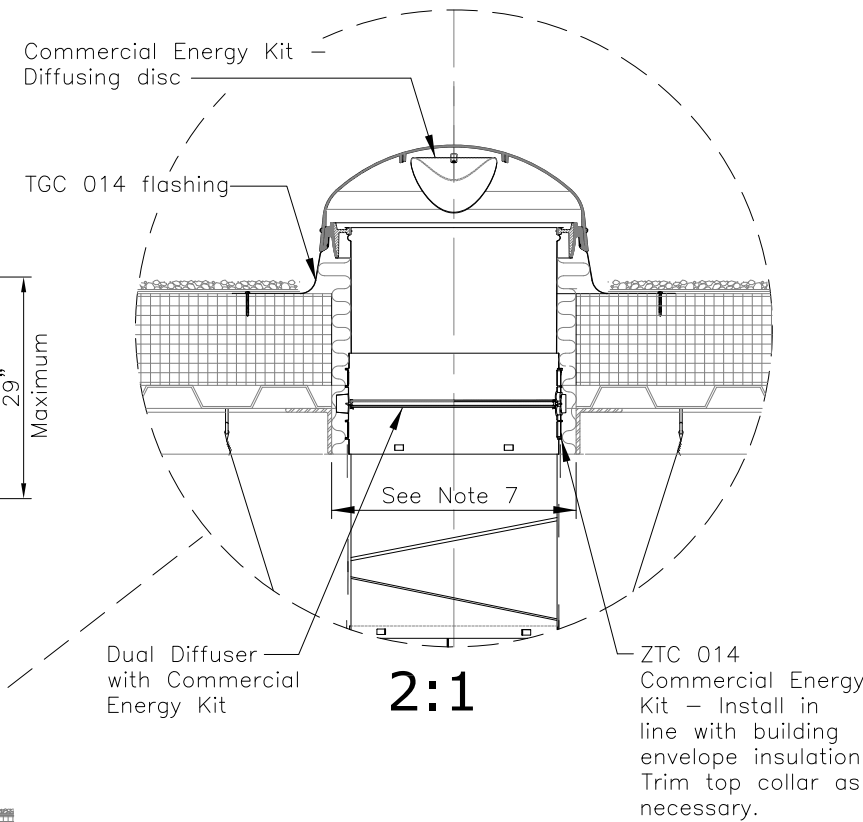
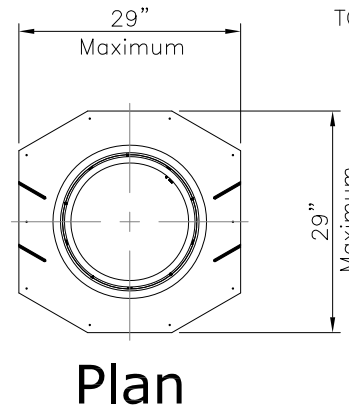
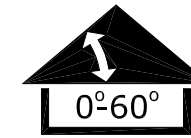
4. Secure suspension wires to the ceiling adaptor assembly & eyebolts.

5. Dimensions shown are nominal, unless indicated otherwise.

6. Product specific dimensions are referenced in the TGC Product Data Sheet documentation.

7. Rough opening dimensions vary with roof slope. Roof opening dimensions are referenced in the TGC/TMC + TTK Installation Instructions.

8. VELUX recommends fastening TGC flashing to roof decking or roof framing.



Suspended Acoustical Tile /Grid Ceiling Installation

4:1

General Arrangement Layout

TGC 014 Components	Quantity
TGC 014 0000 <ul style="list-style-type: none"> Acrylic Dome Counter flashing assembly Top collar (16"/.41m) Hardware bag Option <ul style="list-style-type: none"> TGC 014 1000 – Impact Polycarbonate dome 	
TTK 014 <ul style="list-style-type: none"> 24"/.61m Rigid tunnel (2) 12"/.30m Rigid elbows Tape for tunnel joints Hardware bag 	
TTC 014 0002 <ul style="list-style-type: none"> 14" to 22" Transition piece (ZTZ 206) Ceiling adapter assembly with prismatic diffuser Tape for tunnel joints Gasket material for diffuser Hardware bag Suspension wire Options <ul style="list-style-type: none"> TTC 014 0000 – Frosted diffuser TTC 014 0003 – Fresnel diffuser 	
ZTP 014 <ul style="list-style-type: none"> Daylight Controller KES 160 Control System also required for control & power to ZTP 014 Option <ul style="list-style-type: none"> ZTP 014 0000P Plenum rated daylight controller 	
ZTC 014 0401US <ul style="list-style-type: none"> Commercial Energy Kit <ul style="list-style-type: none"> Insulating pane – thermal break Diffusing disc 	

<p>VELUX 1418 Evans Pond Road Greenwood, SC 29649 1-800-88-VELUX www.VELUXUSA.com</p>	Name Date
	Drawn by Checked by Drawing No.
Commercial SUN TUNNEL Skylight TGC 014 w/ TTK 014, TTC 014 (TGC 014 0002TT/TGC 014 1002TT)	
TGC 014-04-0715	

This drawing is an instrument of service and is provided for informational use only.