

General Notes

1. This drawing emphasizes the TGC low profile pan flashed VELUX SUN TUNNEL Skylight. It illustrates a general arrangement layout (plus recommendations) for a VELUX TGC installation in a 0-60 degree roof pitch application utilizing a drywall ceiling installation where primary building envelope insulation is at the roof.

2. The architectural/structural design and specifications for the inclusion of a tubular daylighting device, such as the VELUX TGC, in any roofing/ceiling application is determined and provided by others. The design criteria includes, but is not limited to design loads, structural configurations, structural framing member sizes and material, architectural finishes and integration with the roofing/ceiling systems of the building. VELUX assumes no responsibility or liability in the design, construction and performance of a building structure by others.

3. Secure eye screws/bolts to the roofing structure and attach suspension wire to connect to clips at end of tunnel section.

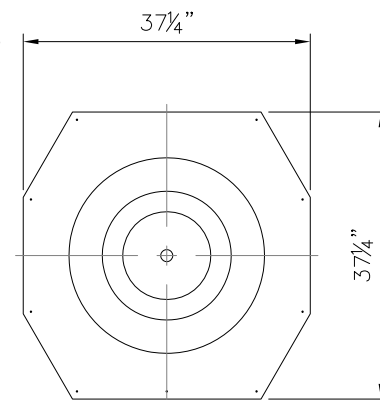
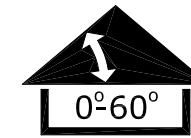
4. Secure suspension wires to the ceiling adaptor assembly & eyebolts.

5. Dimensions shown are nominal, unless indicated otherwise.

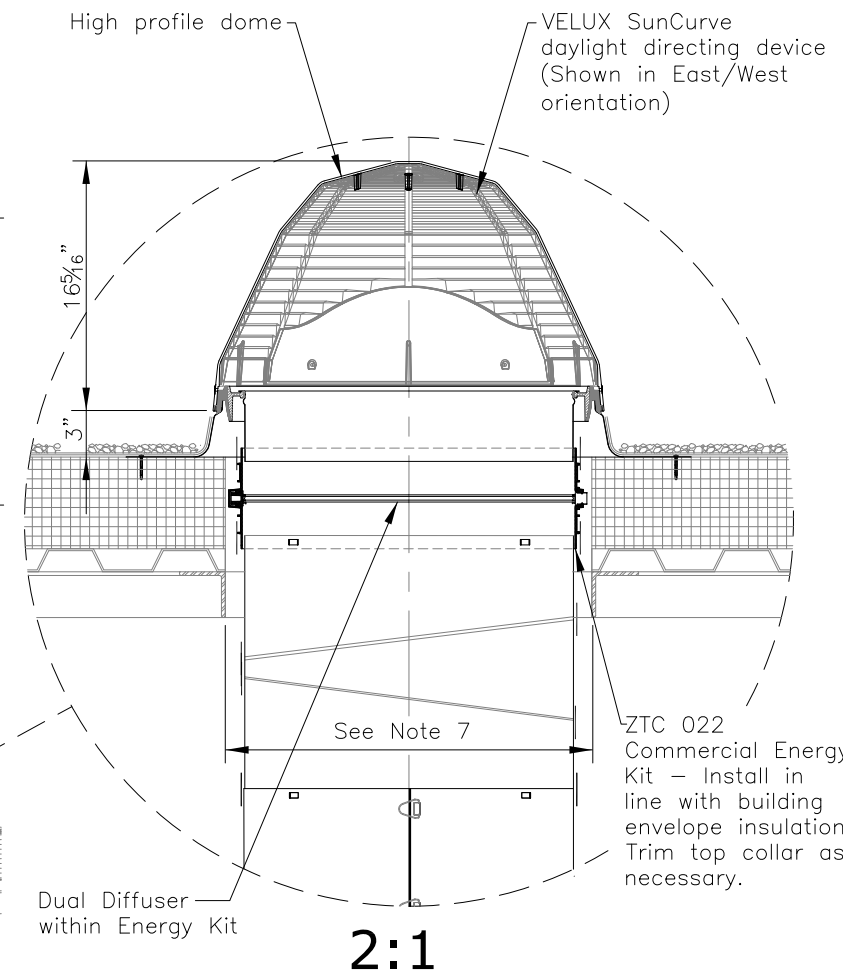
6. Product specific dimensions are referenced in the TGC Product Data Sheet documentation.

7. Rough opening dimensions vary with roof slope. Roof opening dimensions are referenced in the TGC/TMC + TTK Installation Instructions.

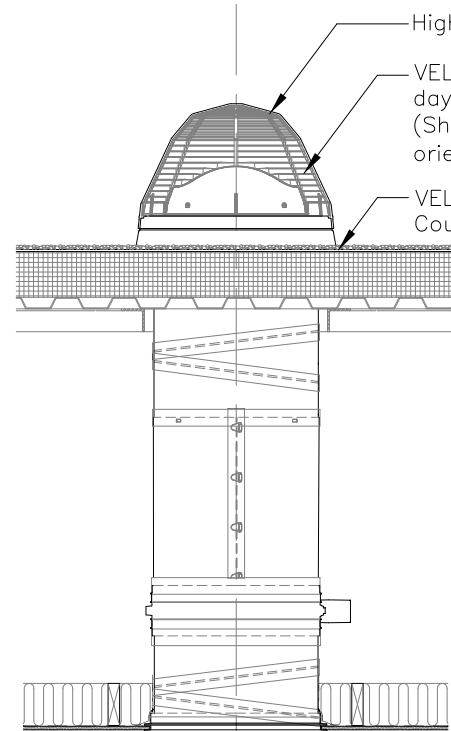
8. VELUX recommends fastening TGC flashing to roof decking or roof framing.



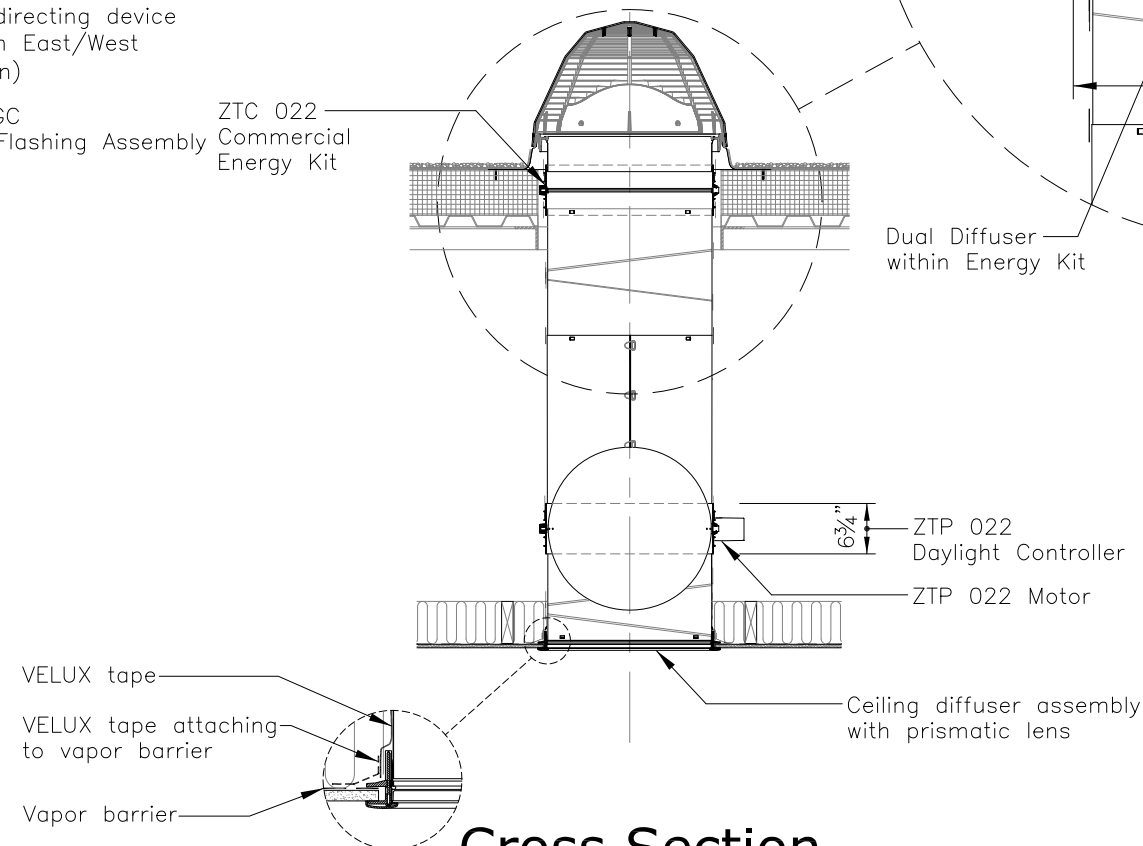
Plan



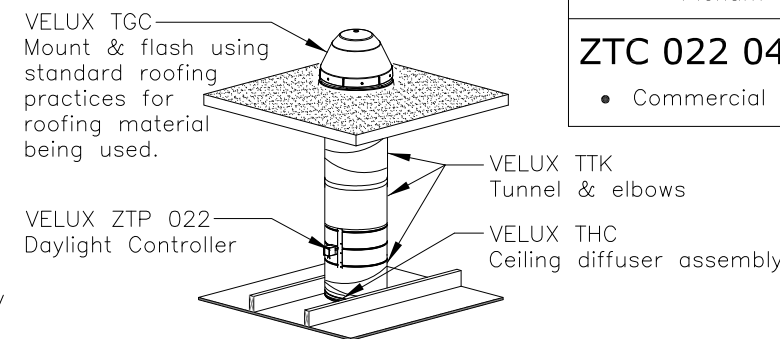
2:1



Elevation



Cross Section



General Arrangement Layout

TGC 022 Components	Quantity
TGC 022 3000 <ul style="list-style-type: none"> Acrylic Dome VELUX SunCurve daylight directing device Pan flashing assembly Top collar (16"/.41m) Hardware bag <ul style="list-style-type: none"> Option <ul style="list-style-type: none"> TCC 022 5000 - Impact Polycarbonate dome 	
TTK 022 <ul style="list-style-type: none"> 24"/.61m Rigid tunnel (2) 16"/.41m Rigid elbows Tape for tunnel joints Hardware bag 	
THC 022 0002 <ul style="list-style-type: none"> Ceiling diffuser assembly with prismatic diffuser Tape for tunnel joints Gasket material for diffuser Hardware bag <ul style="list-style-type: none"> Options <ul style="list-style-type: none"> THC 022 0000 - Frosted diffuser THC 022 0003 - Fresnel diffuser 	
ZTP 022 <ul style="list-style-type: none"> Daylight Controller KES 160 Control System also required for control & power to ZTP 022 Option <ul style="list-style-type: none"> ZTP 022 0000P Plenum rated daylight controller 	
ZTC 022 0401US <ul style="list-style-type: none"> Commercial Energy Kit 	

	1418 Evans Pond Road Greenwood, SC 29649 1-800-88-VELUX www.VELUXUSA.com	Name: JDH Date: July 2015
	Commercial SUN TUNNEL Skylight TGC 022 w/ TTK 022, THC 022, ZTP 022, ZTC 022	Checked by: JL,CJ Date: July 2015
Drawing No.		TGC 022-03-0715