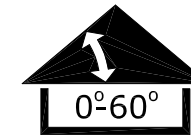


# General Notes

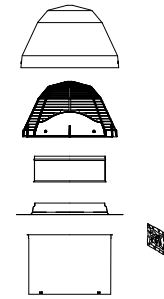
1. This drawing emphasizes the TGC low profile pan flashed VELUX SUN TUNNEL Skylight. It illustrates a general arrangement layout (plus recommendations) for a VELUX TGC installation in a 0–60 degree roof pitch application utilizing either a suspended acoustical tile or grid ceiling installation.
2. The architectural/structural design and specifications for the inclusion of a tubular daylighting device, such as the VELUX TGC, in any roofing/ceiling application is determined and provided by others. The design criteria includes, but is not limited to design loads, structural configurations, structural framing member sizes and material, architectural finishes and integration with the roofing/ceiling systems of the building. VELUX assumes no responsibility or liability in the design, construction and performance of a building structure by others.
3. Secure eye screws/bolts to the roofing structure and attach suspension wire to connect to clips at end of tunnel section.
4. Secure suspension wires to the ceiling adaptor assembly & eyebolts.
5. Dimensions shown are nominal, unless indicated otherwise.
6. Product specific dimensions are referenced in the TCC Product Data Sheet documentation.



## TGC 022 Components

### TGC 022 3000

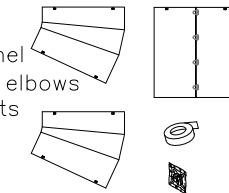
- Acrylic Dome
- VELUX SunCurve daylight directing device
- Pan flashing assembly
- Top collar (16"/.41m)
- Hardware bag



- Option
  - TCC 022 5000 – Impact Polycarbonate dome

### TTK 022

- 24"/.61m Rigid tunnel
- (2) 16"/.41m Rigid elbows
- Tape for tunnel joints
- Hardware bag



### TTC 022 0002

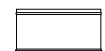
- Ceiling adapter assembly with prismatic diffuser
- Tape for tunnel joints
- Gasket material for diffuser
- Hardware bag
- Suspension wire



- Options
  - TTC 022 0000 – Frosted diffuser
  - TTC 022 0003 – Fresnel diffuser

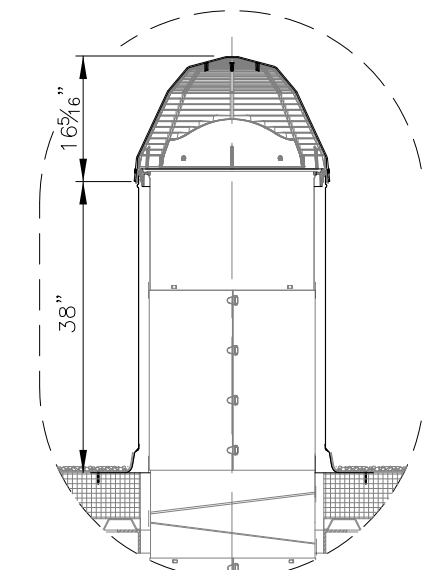
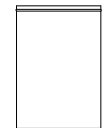
### Option: ZTA 022 0012

- Turrent extender 12 inch

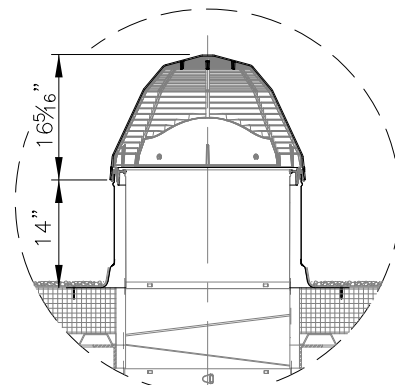


### Option: ZTA 022 0036

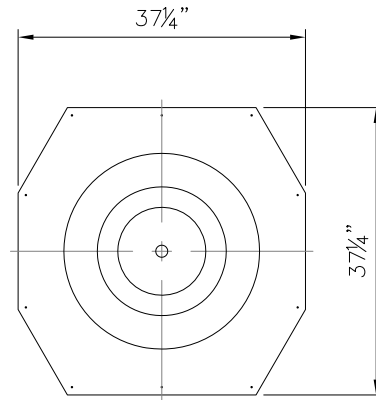
- Turrent extender 36 inch



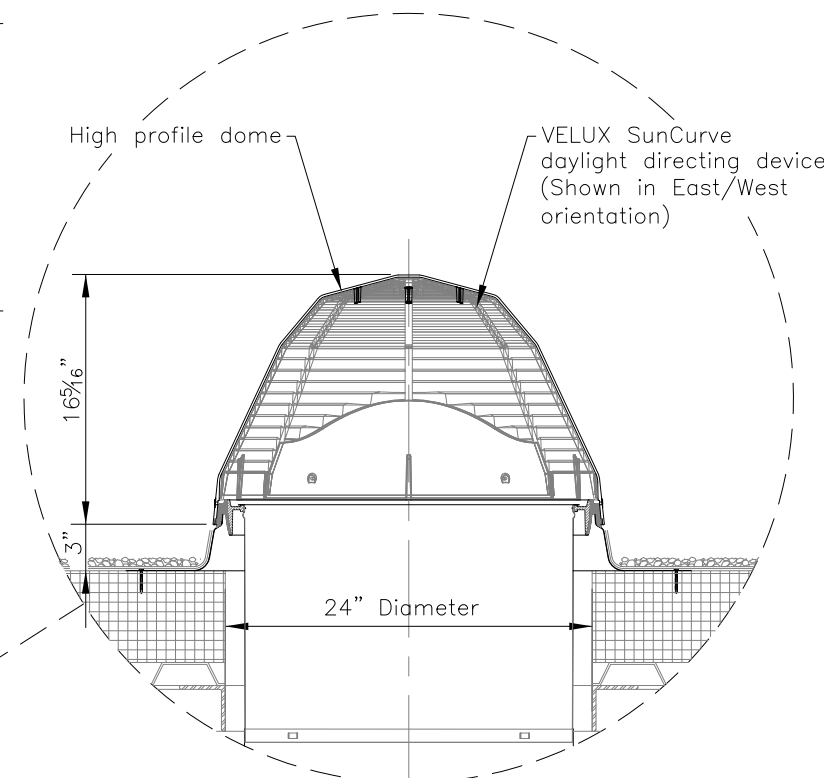
Option: ZTA 022 0036



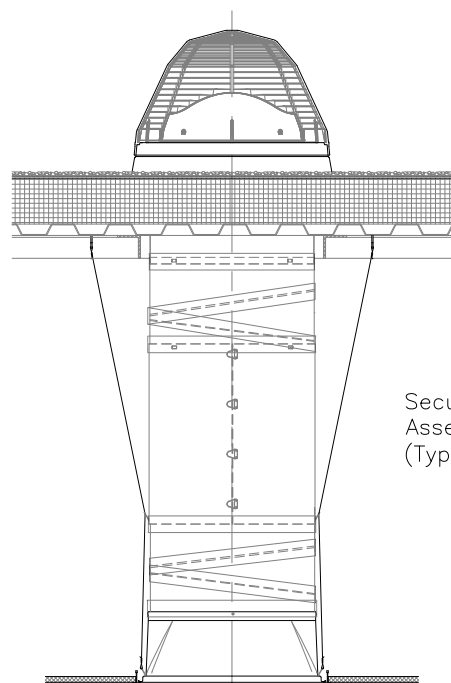
Option: ZTA 022 0012



Plan



2:1

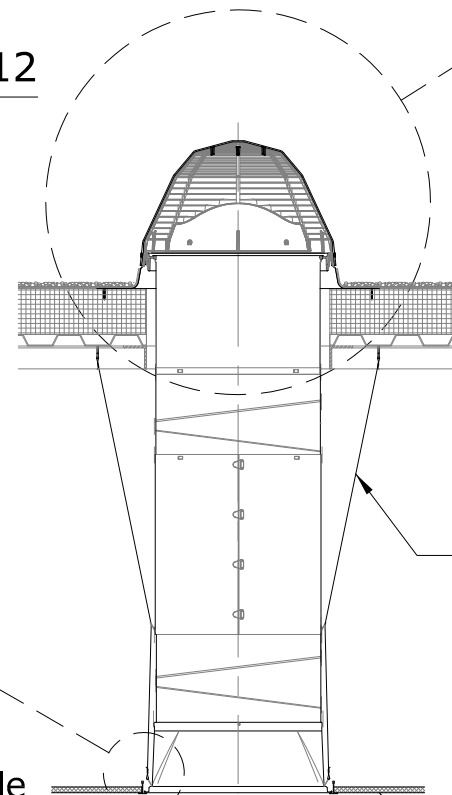


Elevation

Secure Ceiling Adapter Assembly with Clip (Typical of 4 locations)

Suspended Acoustical Tile /Grid Ceiling Installation

4:1

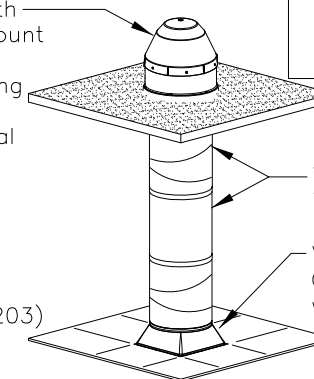


Cross Section

For suspension wire installation, See General Notes and SUN TUNNEL Suspension Wire Installation Instructions (ZTZ 203)

Suspended acoustical tile/grid ceiling By others

VELUX TGC with ZTA 022 – Mount & flash using standard roofing practices for roofing material being used.



General Arrangement Layout

	1418 Evans Pond Road Greenwood, SC 29649 1-800-88-VELUX www.VELUXUSA.com		Name	Date
	Commercial SUN TUNNEL Skylight TGC 022 w/ TTK 022, TTC 022, ZTA 022 (TGC 022 3002TT/TGC 022 5002TT)	Drawn by Checked by Drawing No.	JDH JL,CJ	July 2015 July 2015
TGC 022-04-0715			TGC 022-04-0715	

This drawing is an instrument of service and is provided for informational use only.