

# General Notes

1. This drawing emphasizes the TGC low profile pan flashed VELUX SUN TUNNEL Skylight. It illustrates a general arrangement layout (plus recommendations) for a VELUX TGC installation in a 0–60 degree roof pitch application utilizing either a suspended acoustical tile or grid ceiling installation.

2. The architectural/structural design and specifications for the inclusion of a tubular daylighting device, such as the VELUX TGC, in any roofing/ceiling application is determined and provided by others. The design criteria includes, but is not limited to design loads, structural configurations, structural framing member sizes and material, architectural finishes and integration with the roofing/ceiling systems of the building. VELUX assumes no responsibility or liability in the design, construction and performance of a building structure by others.

3. Secure eye screws/bolts to the roofing structure and attach suspension wire to connect to clips at end of tunnel section.

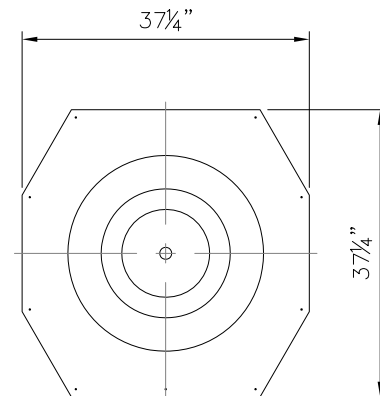
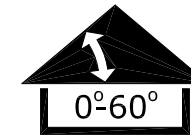
4. Secure suspension wires to the ceiling adaptor assembly & eyebolts.

5. Dimensions shown are nominal, unless indicated otherwise.

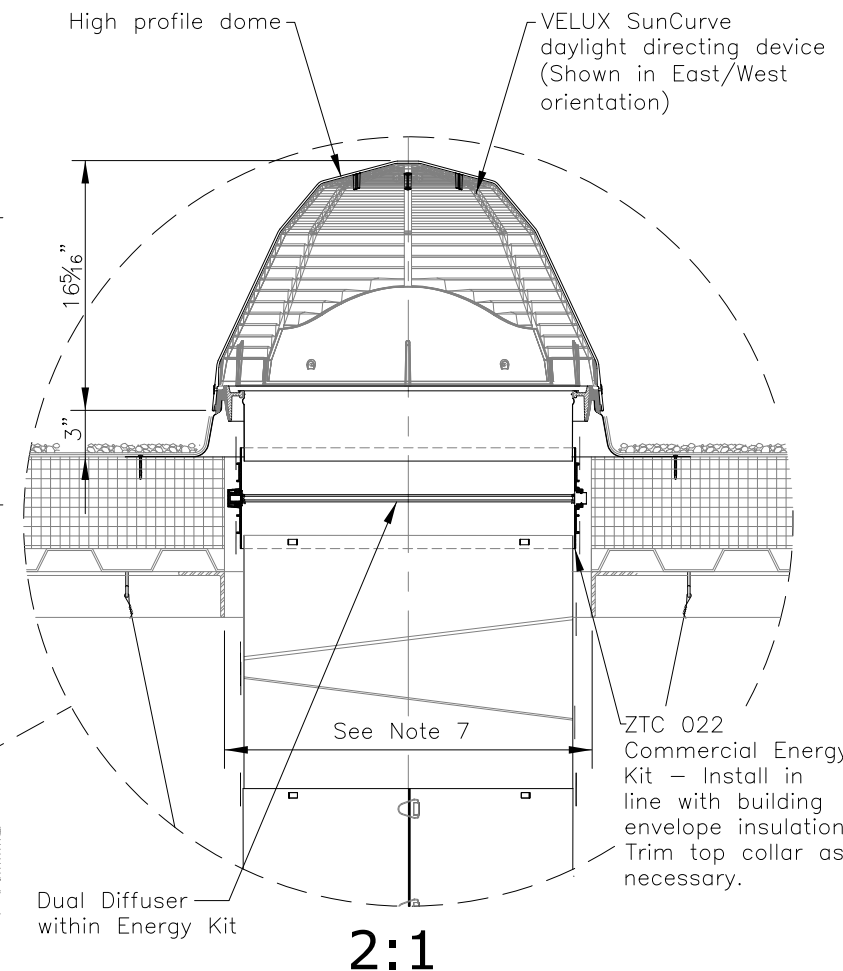
6. Product specific dimensions are referenced in the TGC Product Data Sheet documentation.

7. Rough opening dimensions vary with roof slope. Roof opening dimensions are referenced in the TGC/TMC + TTK Installation Instructions.

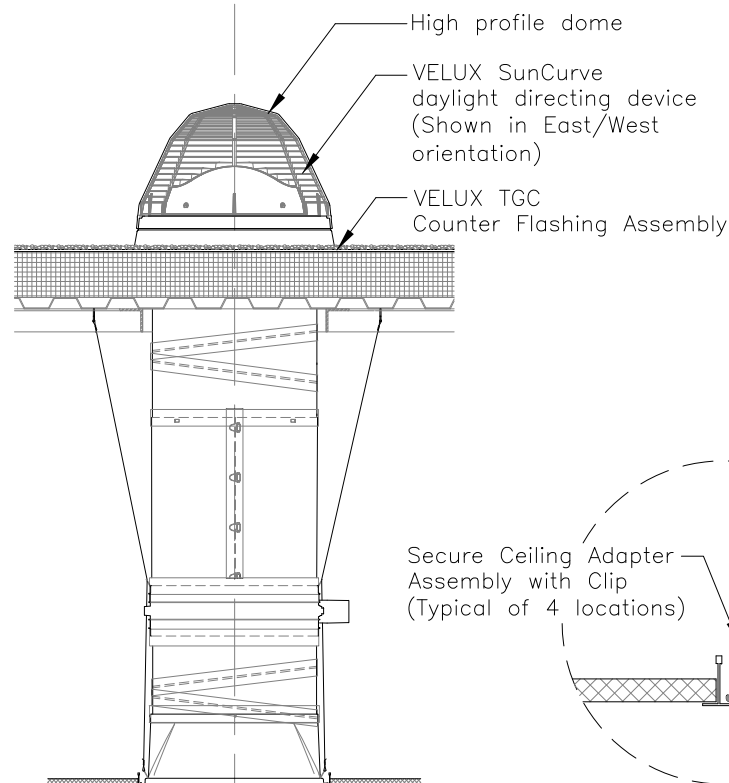
8. VELUX recommends fastening TGC flashing to roof decking or roof framing.



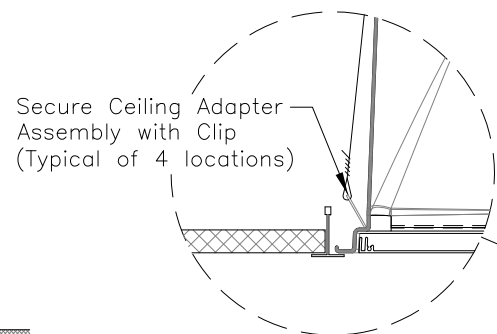
**Plan**



**2:1**

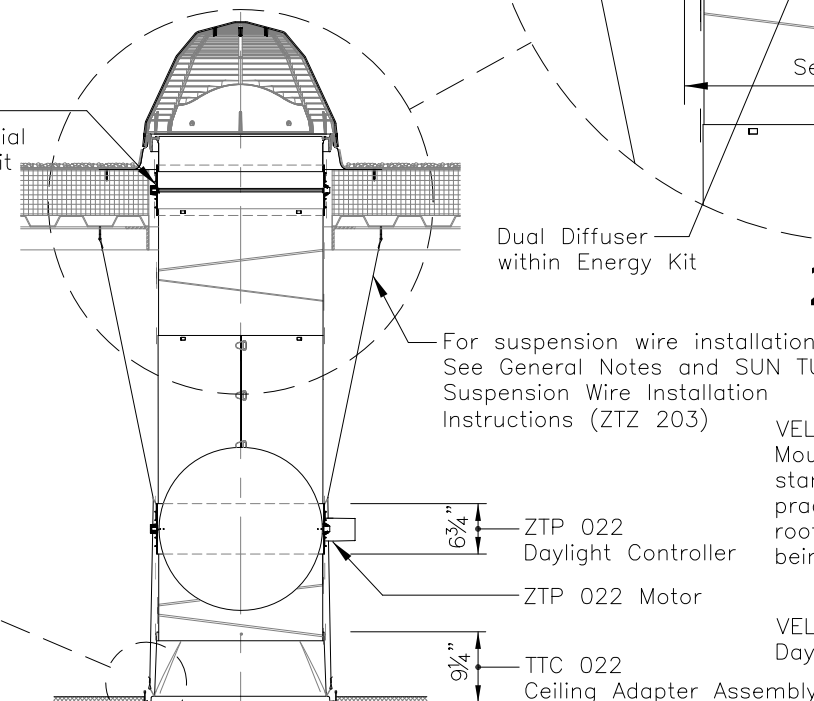


**Elevation**

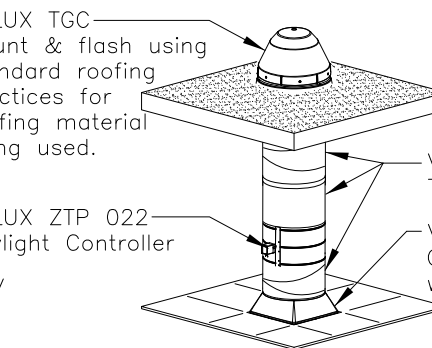


**Suspended Acoustical Tile /Grid Ceiling Installation**

**4:1**



**Cross Section**



**General Arrangement Layout**

| TGC 022 Components   | Quantity |
|--|----------|
| <b>TGC 022 3000</b> <ul style="list-style-type: none"> <li>Acrylic Dome</li> <li>VELUX SunCurve daylight directing device</li> <li>Pan flashing assembly</li> <li>Top collar (16"/.41m)</li> <li>Hardware bag</li> </ul>   | —        |
| <ul style="list-style-type: none"> <li>Option                             <ul style="list-style-type: none"> <li>TCC 022 5000 – Impact Polycarbonate dome</li> </ul> </li> </ul>   | —        |
| <b>TTK 022</b> <ul style="list-style-type: none"> <li>24"/.61m Rigid tunnel</li> <li>(2) 16"/.41m Rigid elbows</li> <li>Tape for tunnel joints</li> <li>Hardware bag</li> </ul>  | —        |
| <b>TTC 022 0002</b> <ul style="list-style-type: none"> <li>Ceiling adapter assembly with prismatic diffuser</li> <li>Tape for tunnel joints</li> <li>Gasket material for diffuser</li> <li>Hardware bag</li> <li>Suspension wire</li> </ul>  | —        |
| <ul style="list-style-type: none"> <li>Options                             <ul style="list-style-type: none"> <li>TTC 022 0000 – Frosted diffuser</li> <li>TTC 022 0003 – Fresnel diffuser</li> </ul> </li> </ul>  | —        |
| <b>ZTP 022</b> <ul style="list-style-type: none"> <li>Daylight Controller KES 160 Control System also required for control &amp; power to ZTP 022</li> <li>Option                             <ul style="list-style-type: none"> <li>ZTP 022 0000P Plenum rated daylight controller</li> </ul> </li> </ul> | —        |
| <b>ZTC 022 0401US</b> <ul style="list-style-type: none"> <li>Commercial Energy Kit</li> </ul>  | —        |

|   |   |
|---|---|
| <p>VELUX<br/>1418 Evans Pond Road<br/>Greenwood, SC 29649<br/>1-800-88-VELUX<br/>www.VELUXUSA.com</p> | Name: _____<br>Date: _____  |
|   | Drawn by: JDH July 2015<br>Checked by: JL,CJ July 2015<br>Drawing No. |
| Commercial SUN TUNNEL Skylight<br>TGC 022 w/ TTK 022, TTC 022,<br>ZTP 022, ZTC 022                    |   |
| TGC 022-05-0715   |   |

This drawing is an instrument of service and is provided for informational use only.