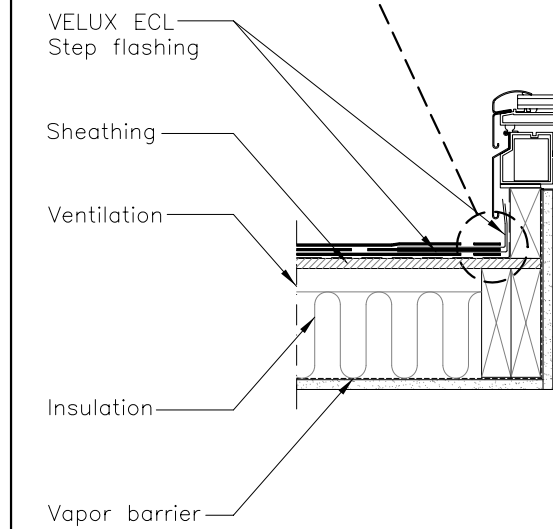
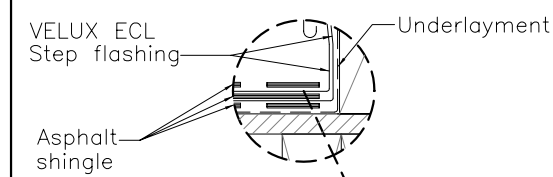


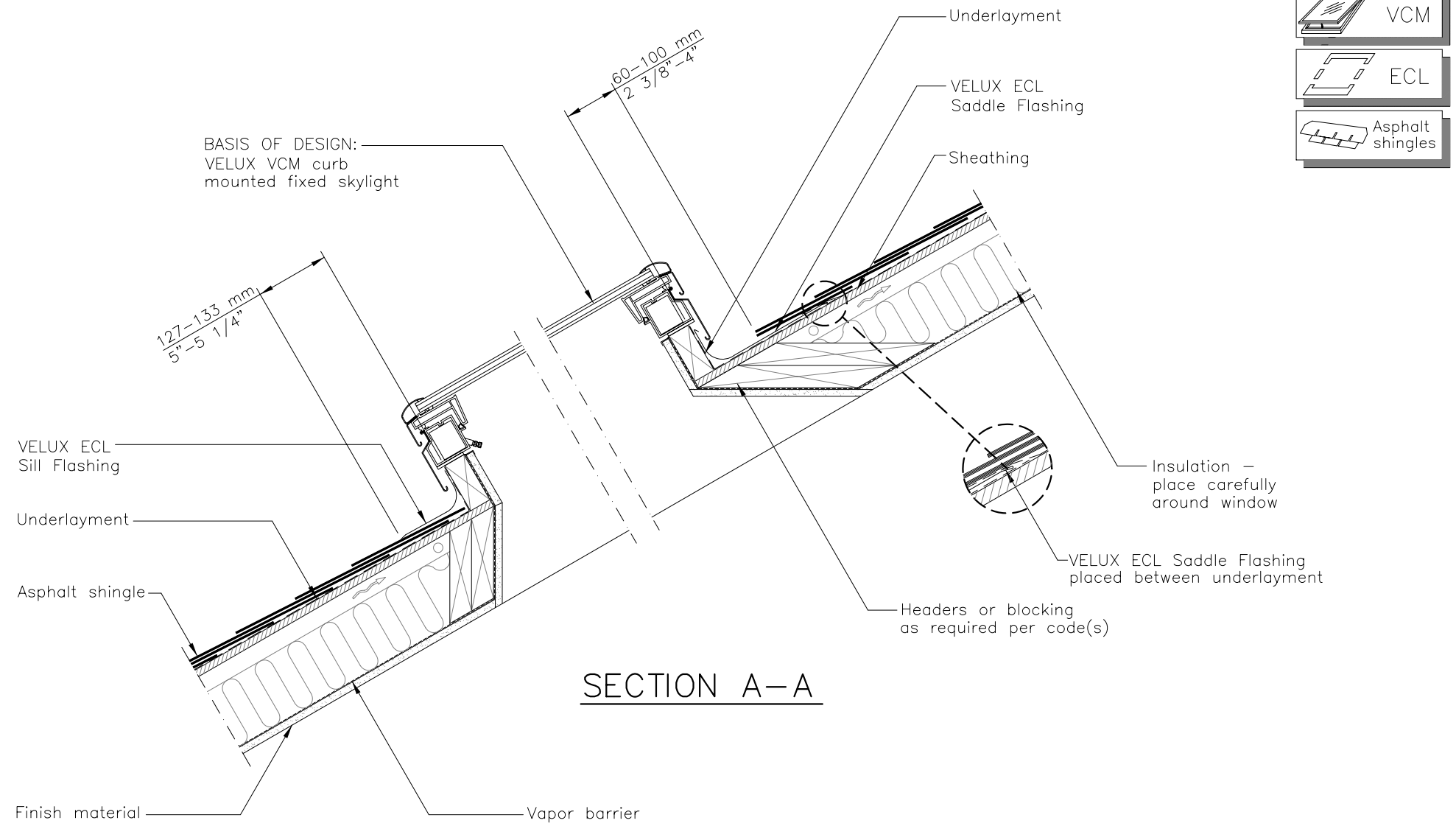
ELEVATION

Finish raw edge of finish material to provide a moisture barrier utilizing sealing tape and/or adhesive sealant



SECTION B-B

This drawing is an instrument of service and is provided for informational use only.



SECTION A-A

VCM
 ECL
 Asphalt shingles

GENERAL NOTES

1. Underlayment to be folded up against all sides of curb.
2. Vapor barrier should be used to avoid moisture.
3. Wrap curb in underlayment. VELUX recommends use of VELUX type ZOZ 216 adhesive underlayment.

	VELUX 1418 Evans Pond Road Greenwood, SC 29649 1-800-88-VELUX www.VELUXUSA.com	Name JDH	Date Sept 08
	Sky-Product Management	Checked by ___	Sept 08
VCM-Residential/Commercial Roof Section (Cathedral Ceiling with Asphalt Shingles)		Drawing No. VCM-02-1208	