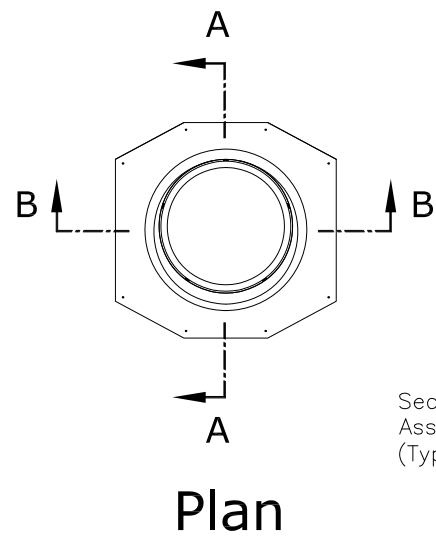
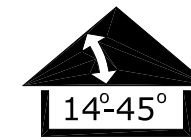
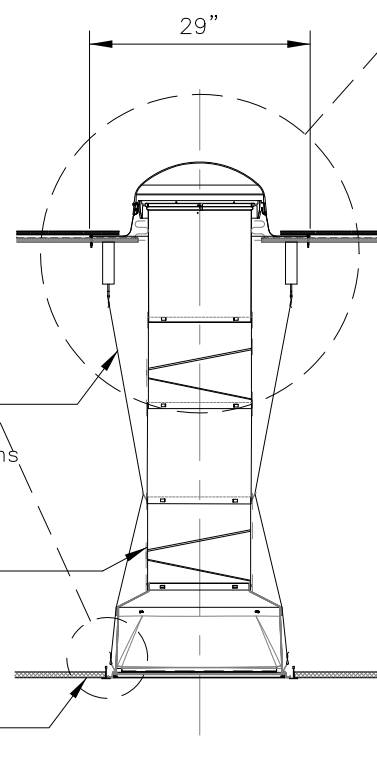
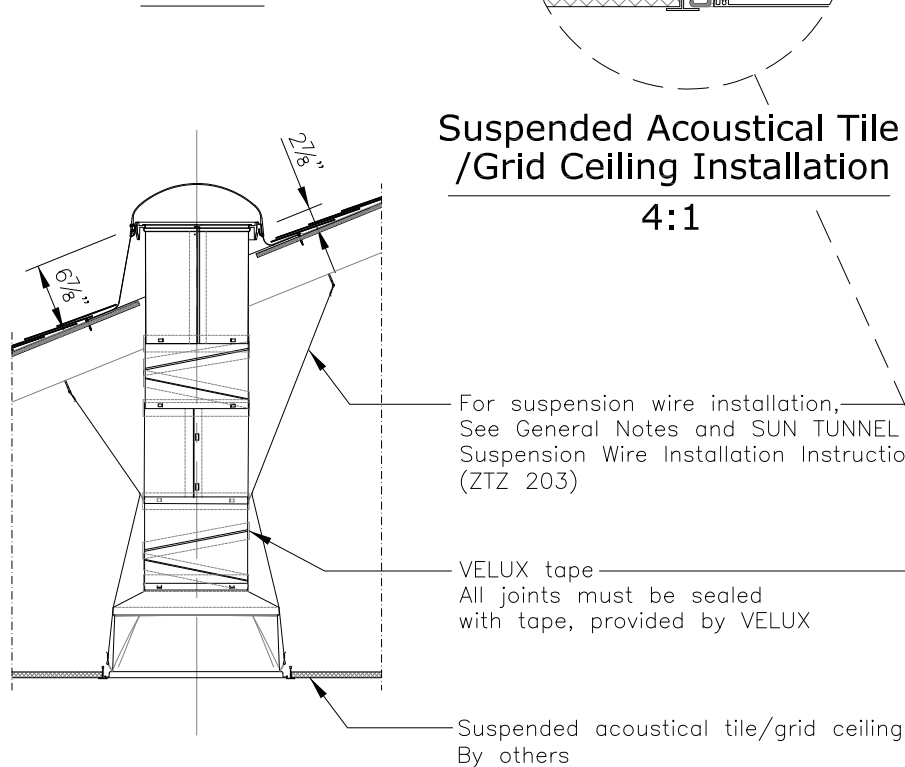
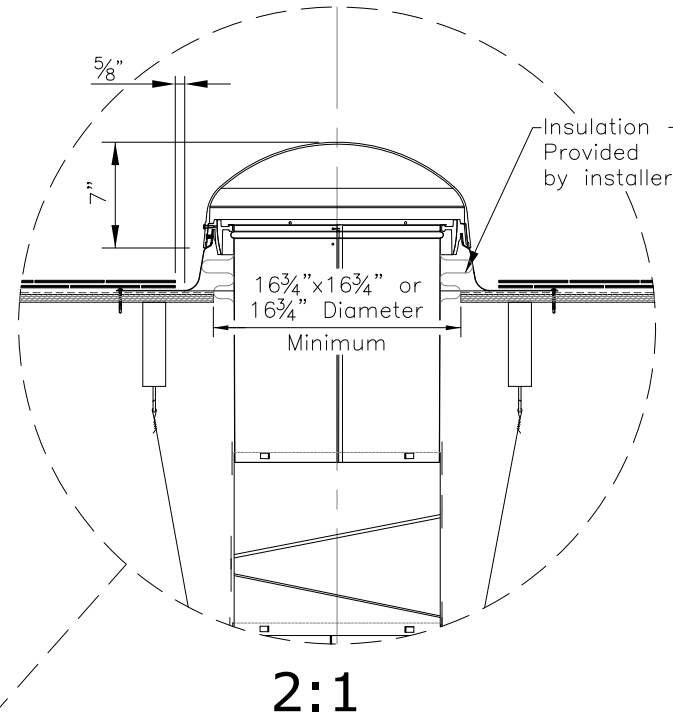


# General Notes

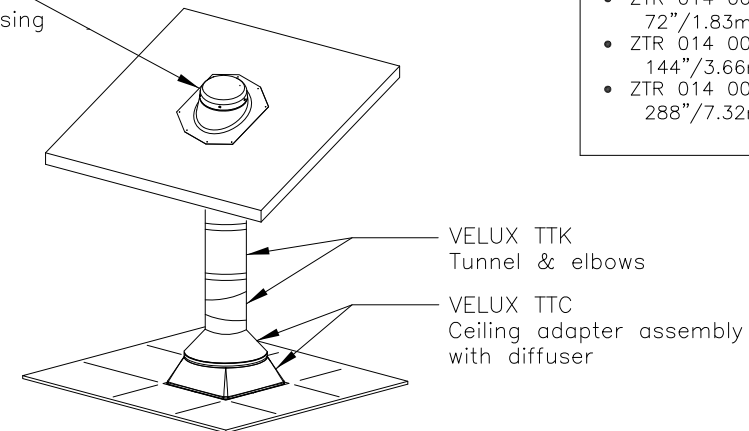
1. This drawing emphasizes the TMC pitched flashing VELUX SUN TUNNEL Skylight. It illustrates a general arrangement layout (plus recommendations) for a VELUX TMC installation in a 14–45 degree roof pitch application utilizing either a suspended acoustical tile or grid ceiling installation.
2. The architectural/structural design and specifications for the inclusion of a tubular daylighting device, such as the VELUX TMC, in any roofing/ceiling application is determined and provided by others. The design criteria includes, but is not limited to design loads, structural configurations, structural framing member sizes and material, architectural finishes and integration with the roofing/ceiling systems of the building. VELUX assumes no responsibility or liability in the design, construction and performance of a building structure by others.
3. Secure eye screws/bolts to the roofing structure and attach suspension wire to connect to clips at end of tunnel section.
4. Secure suspension wires to the ceiling adaptor assembly & eyebolts.
5. Dimensions shown are nominal, unless indicated otherwise.
6. Product specific dimensions are referenced in the TMC Product Data Sheet documentation.



Secure Ceiling Adapter Assembly with Clip (Typical of 4 locations)



VELUX TMC  
Mount & flash using standard roofing practices for roofing material being used.



## General Arrangement Layout

TMC 014 Components	Quantity
<b>TMC 014 0000</b> <ul style="list-style-type: none"> <li>Acrylic Dome</li> <li>Counter flashing assembly</li> <li>Top collar (16"/.41m)</li> <li>Hardware bag</li> </ul> <ul style="list-style-type: none"> <li>Option           <ul style="list-style-type: none"> <li>TMC 014 1000 - Impact Polycarbonate dome</li> </ul> </li> </ul>	_____
<b>TTK 014</b> <ul style="list-style-type: none"> <li>24"/.61m Rigid tunnel</li> <li>(2) 12"/.30m Rigid elbows</li> <li>Tape for tunnel joints</li> <li>Hardware bag</li> </ul>	_____
<b>TTC 014 0002</b> <ul style="list-style-type: none"> <li>14" to 22" Transition piece</li> <li>Ceiling adapter assembly with prismatic diffuser</li> <li>Tape for tunnel joints</li> <li>Gasket material for diffuser</li> <li>Hardware bag</li> <li>Suspension wire</li> </ul> <ul style="list-style-type: none"> <li>Options           <ul style="list-style-type: none"> <li>TTC 014 0000 - Frosted diffuser</li> <li>TTC 014 0003 - Fresnel diffuser</li> </ul> </li> </ul>	_____
<b>Option: ZTR 014</b> <ul style="list-style-type: none"> <li>ZTR 014 0002 24"/.61m Rigid tunnel</li> <li>ZTR 014 0004 48"/1.22m Rigid tunnel</li> <li>ZTR 014 0006 72"/1.83m Rigid tunnel</li> <li>ZTR 014 0012 144"/3.66m Rigid tunnel</li> <li>ZTR 014 0024 288"/7.32m Rigid tunnel</li> </ul>	_____

## Section A-A

## Section B-B

This drawing is an instrument of service and is provided for informational use only.

<p>VELUX 1418 Evans Pond Road Greenwood, SC 29649 1-800-88-VELUX www.VELUXUSA.com</p> <p>Commercial SUN TUNNEL Skylight TMC 014 w/ TTK 014, TTC 022 (TMC 014 0002TT/TMC 014 1002TT)</p>	<p>VELUX Product Management</p>	<table border="1"> <thead> <tr> <th>Name</th> <th>Date</th> </tr> </thead> <tbody> <tr> <td>JDH</td> <td>July 2015</td> </tr> <tr> <td>JL,CJ</td> <td>July 2015</td> </tr> </tbody> </table>	Name	Date	JDH	July 2015	JL,CJ	July 2015
	Name	Date						
JDH	July 2015							
JL,CJ	July 2015							
<p>Drawing No.</p>	<p>TMC 014-01-0414</p>							