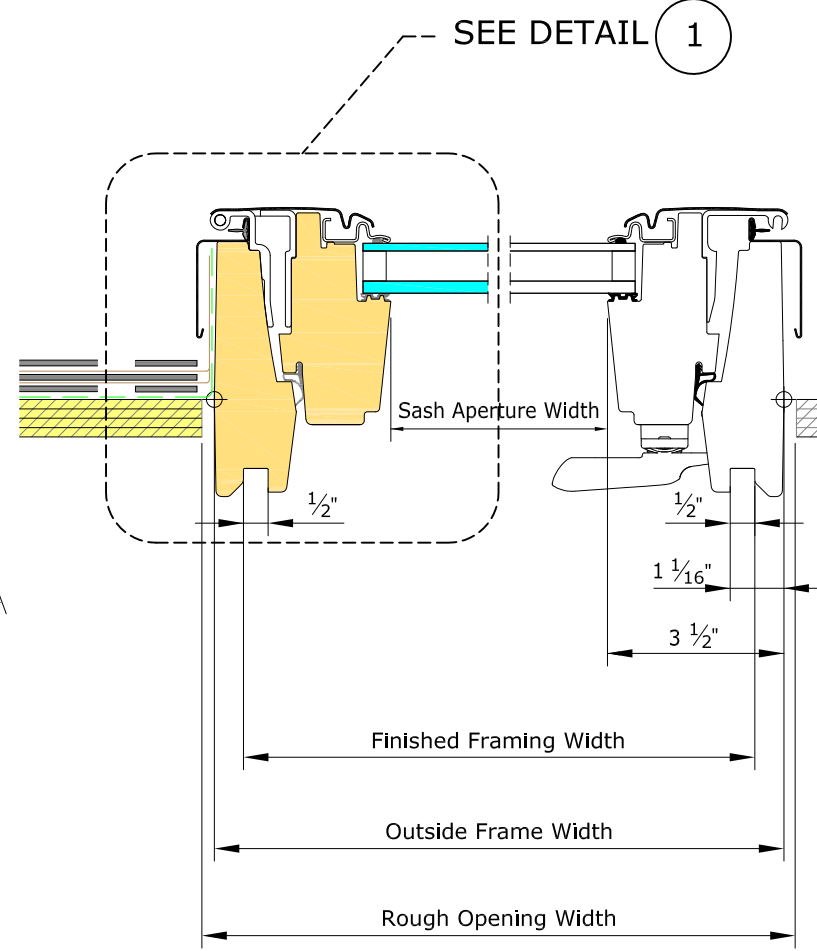
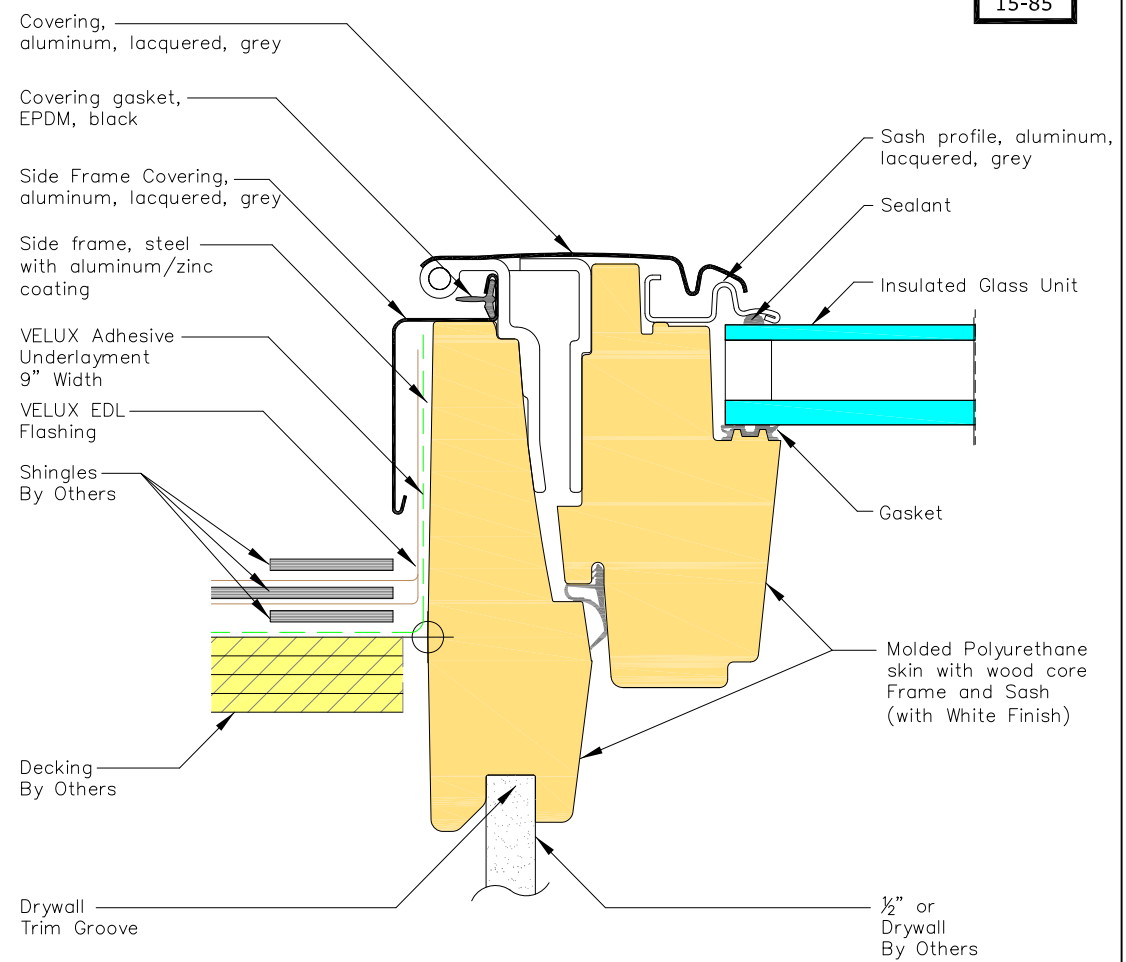


VERTICAL CROSS SECTION



HORIZONTAL CROSS SECTION



DETAIL 1

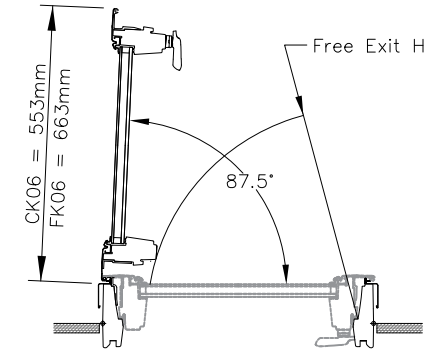
PRODUCT DIMENSIONS											
METRIC UNITS (MILLIMETERS)					IMPERIAL UNITS (INCHES)						
Size	Rough Opening Width	Outside Frame Width	Finished Framing Width	Sash Aperture Width	Daylight Area (Sq. Meters)	Size	Rough Opening Width	Outside Frame Width	Finished Framing Width	Sash Aperture Width	Daylight Area (Sq. Feet)
CK06	563	550	520.4	370.8	0.37	CK06	22 1/8	21 5/8	20 1/2	14 9/16	3.98
FK06	673	660	630.4	480.8	0.47	FK06	26 1/2	26	24 3/4	18 7/8	5.06

- STANDARD GLAZING OPTIONS:**
- Laminated LowE3 (60)

- COMPATIBLE FLASHINGS:**
- EDL Step flashing
 - EKL/EKX Combi flashing
 - EDW Tile flashing
 - EKW/EKX Combi tile flashing

NOTES:
 1. The ROUGH OPENING and FINISHED FRAMING dimensions are based on perpendicular interior finish material on all four sides and these dimensions will vary depending on the roof construction, the thickness and the design of the interior finish material.

Window height	Free Exit Height (rounded, mm)
-K06	1078
Window width	Free Exit R (rounded, mm)
CK--	426
FK--	536



FREE EXIT

The Free Exit Height R is the minimum perpendicular distance from the side frame to the opposite side sash.

Window comes standard with hinges on the interior left and is designed to allow that the hinges and latch may be reversed, to open the window to the right.

Sky-Global Product Management

1418 Evans Pond Road
 Greenwood, SC 29649
 1-800-88-VELUX
 www.VELUXUSA.com

G XU - Roof access window