

ROOF WINDOW INFORMATION

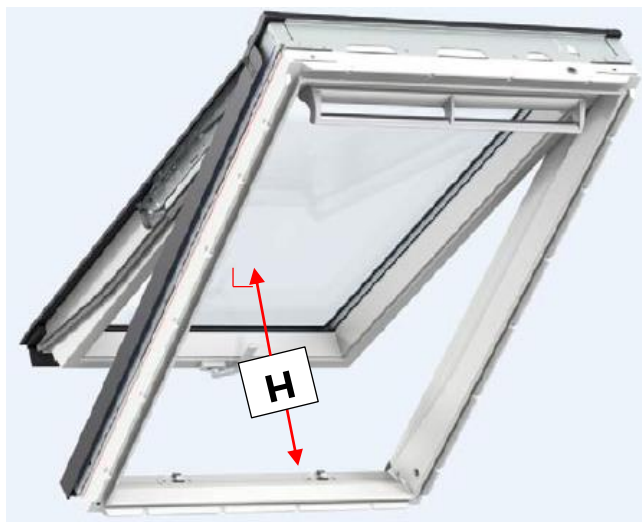
EMERGENCY ESCAPE AND RESCUE OPENINGS



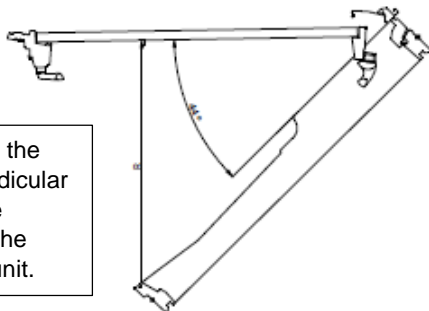
Skylights

PRODUCT INFORMATION					Dimensional Requirements Met?
VELUX PRODUCT	OUTSIDE FRAME DIMENSION (W x H)	RESCUE OPENING DIMENSIONS		NET CLEAR OPENING	
		W	H		
GPL / GPU MK06	30-3/4 in X 46-1/2 in	27-3/8 in	30-3/8 in	5.78 ft ²	YES
GPL / GPU MK08	30-3/4 in X 55-1/8 in	27-3/8 in	36-3/8 in	6.92 ft ²	YES
GPL / GPU PK10	37 in X 63 in	33-3/4 in	41-7/8 in	9.83 ft ²	YES
GPL / GPU SK06	44-7/8 in X 46-1/2 in	41-5/8 in	30-3/8 in	8.76 ft ²	YES
GPL / GPU UK08	52-3/4 in X 55-1/8 in	49-1/2 in	36-3/8 in	12.49 ft ²	YES
GXU FK06	26 in X 46-3/8 in	21-1/8 in	42-1/2 in	6.23 ft ²	YES
US Model Code Requirements		20"	24"	5.7 ft²	

NOTE: Code also requires 44" Maximum - Finished Sill Height from Finished Floor



GPL / GPU

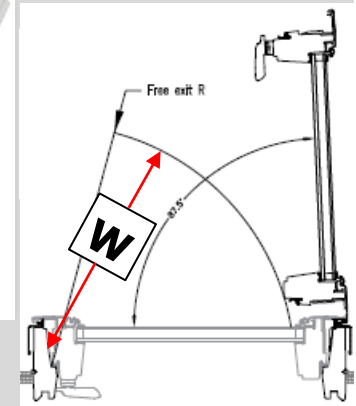


The free exit H is the minimum perpendicular distance from the bottom frame to the insulating glass unit.



GXU

The free exit W (radius) is the minimum perpendicular distance from the side frame to the opposite side sash.



NOTE:

GPL / GPU sash opens 44 degrees maximum. Spring hinge holds its position.

NOTE:

GXU sash opens 87.5 degrees and "locks" in that position.