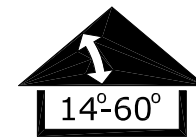


# General Notes

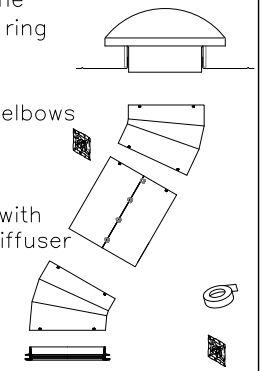
1. This drawing emphasizes the TSR 010 low profile pan flashed VELUX SUN TUNNEL Skylight. It illustrates a general arrangement layout (plus recommendations) for a VELUX TSR 010 installation in a 14–60 degree roof pitch application utilizing a hard ceiling installation.
2. The architectural/structural design and specifications for the inclusion of a tubular daylighting device, such as the VELUX TSR 010, in any roofing/ceiling application is determined and provided by others. The design criteria includes, but is not limited to design loads, structural configurations, structural framing member sizes and material, architectural finishes and integration with the roofing/ceiling systems of the building. VELUX assumes no responsibility or liability in the design, construction and performance of a building structure by others.
3. Dimensions shown are nominal, unless indicated otherwise.
4. TSR 010 0000D nominal diameter is 10".
5. Maximum tunnel length is 20'. Minimum tunnel length is 16".
6. Rough opening dimensions vary with roof slope. Roof opening dimensions are referenced in the TSR Installation Instructions.
7. VELUX recommends fastening TSR flashing to roof decking or roof framing.
8. Minimum 1 1/4" clearance required around ceiling rough opening, to fit trim ring.



# TSR 010 Components

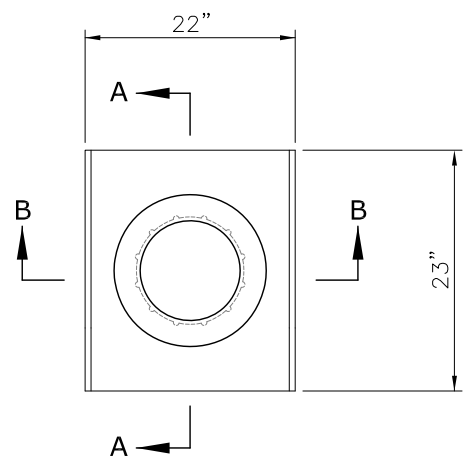
## TSR 010 0000 D

- Low profile acrylic dome
- 10" roof flashing and ring
- Top collar (4"/.1m)
- 24"/.61m Rigid tunnel
- (2) 11.5"/.29m Rigid elbows
- Tape for tunnel joints
- Hardware bag
- Ceiling ring assembly with crackle over frosted diffuser
- Gasket material for diffuser
- Hardware bag
- Options
  - ZTC 010 0002US – Prismatic diffuser
  - ZTC 010 0003US – Fresnel diffuser

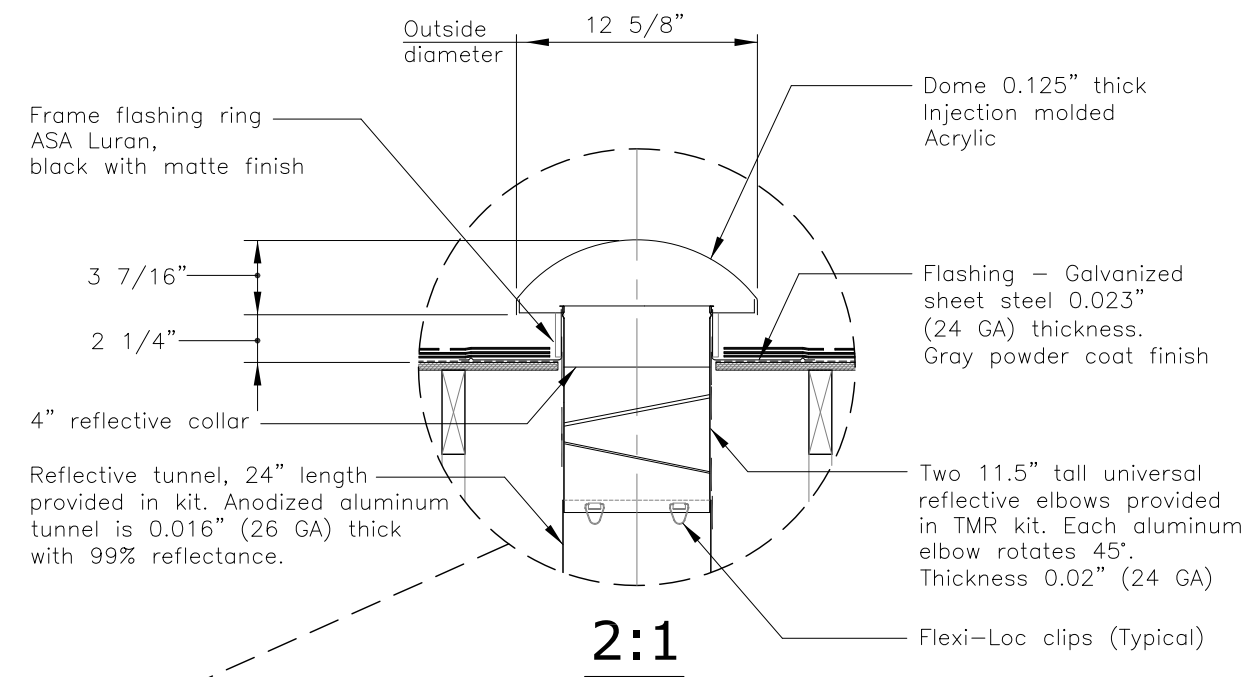


## Option: ZTR 010 Rigid Tunnel Extensions

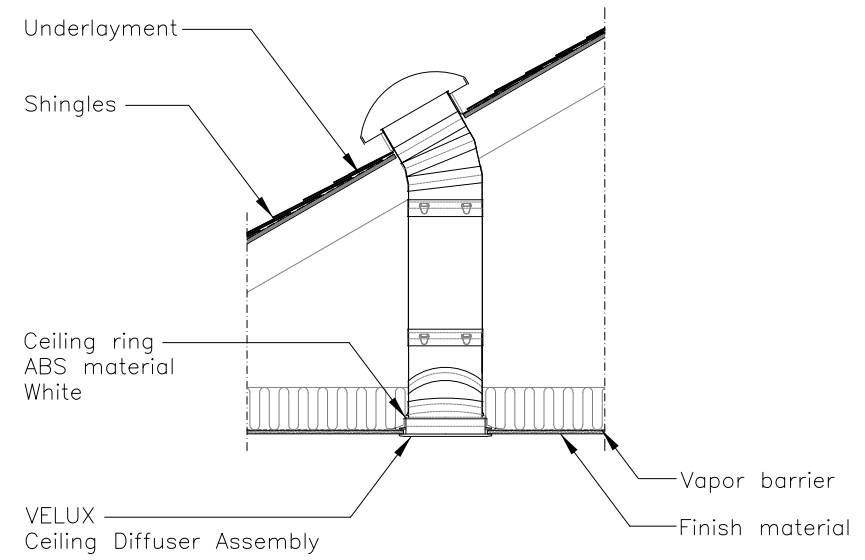
- ZTR 010 0002 24"/.61m Rigid tunnel
- ZTR 010 0004 48"/1.22m Rigid tunnel
- ZTR 010 0006 72"/1.83m Rigid tunnel
- ZTR 010 0012 144"/3.66m Rigid tunnel
- ZTR 010 0024 288"/7.32m Rigid tunnel



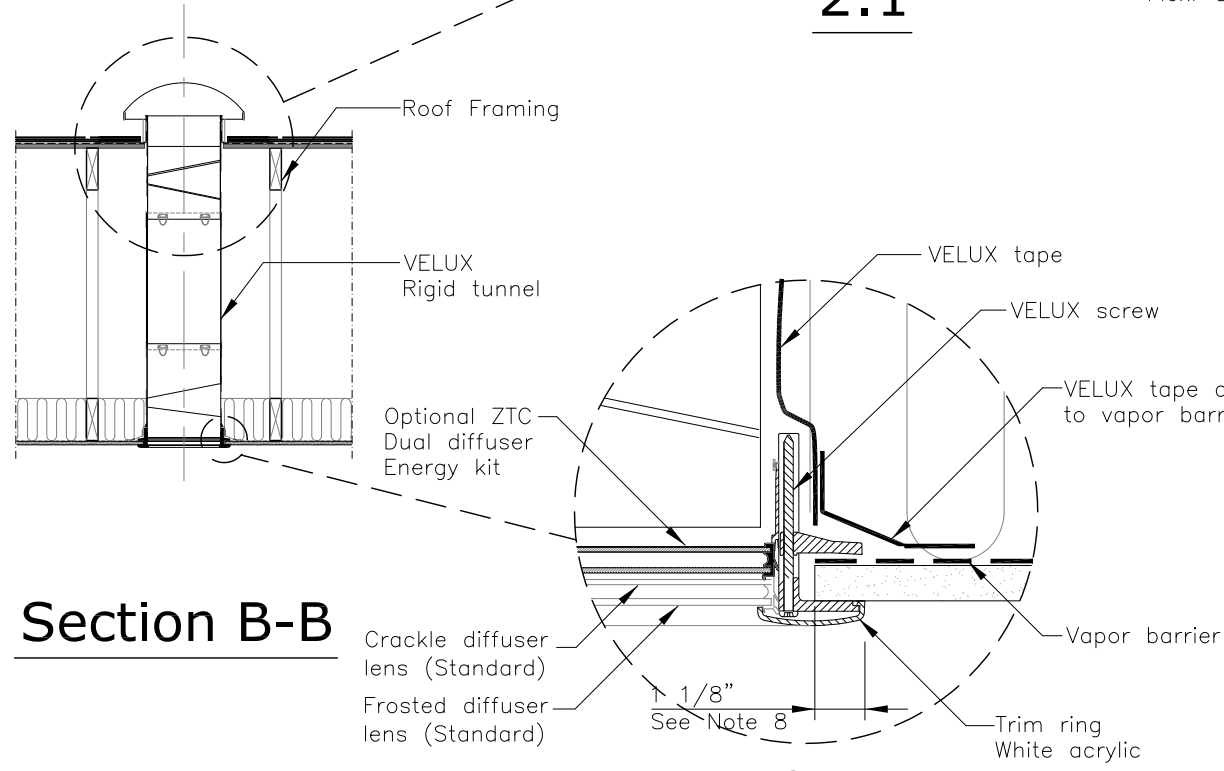
**Plan View**



**2:1**

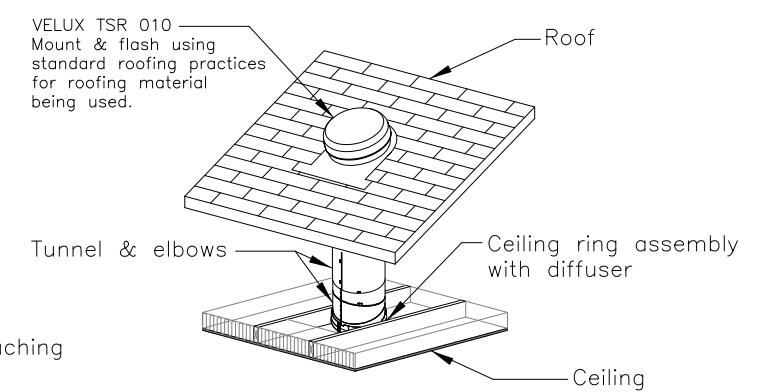


**Section A-A**



**Section B-B**

**10:1**



# General Arrangement Layout



VELUX  
1418 Evans Pond Road  
Greenwood, SC 29649  
1-800-88-VELUX  
www.VELUXUSA.com

## TSR 010 - Residential SUN TUNNEL

This drawing is an instrument of service and is provided for informational use only.